

Condensing Unit Details

Model JEHSI-033-B3-M-3
 Application Medium Temperature

Electrical Supply

400V / 3Ph / 50Hz

Weights & Dimensions

Width 1334 mm
 Depth 546 mm
 Height 872 mm
 Mounting Dims. 945 mm (W) x 500 mm (D)
 Weight (Dry) 116 kgs

Compressor Data

Type AGK33FDAMTS
 Swept Volume 33.2cm³/rev
 Oil Charge 1.90 litres
 Nom. Current (A) 3.9
 MCC (A) 10.8
 LRC (A) n/a

Fan Motors

No. 1
 FLC (A) 0.5

Oil Separator

Oil Charge 0.6 litre

Condenser Coil

Type Al-Cu Fin / Tube
 Volume 4.42 litres

Liquid Receiver

Volume 6.2 litres

Airflow

Volume 3350 m³/h

Applicable Refrigerants

R448A/R449A

Unit Connections

Liquid 1/2"
 Suction 5/8"

Sound Pressure Level @ 10m (-10°C/+32°C) - 60rps

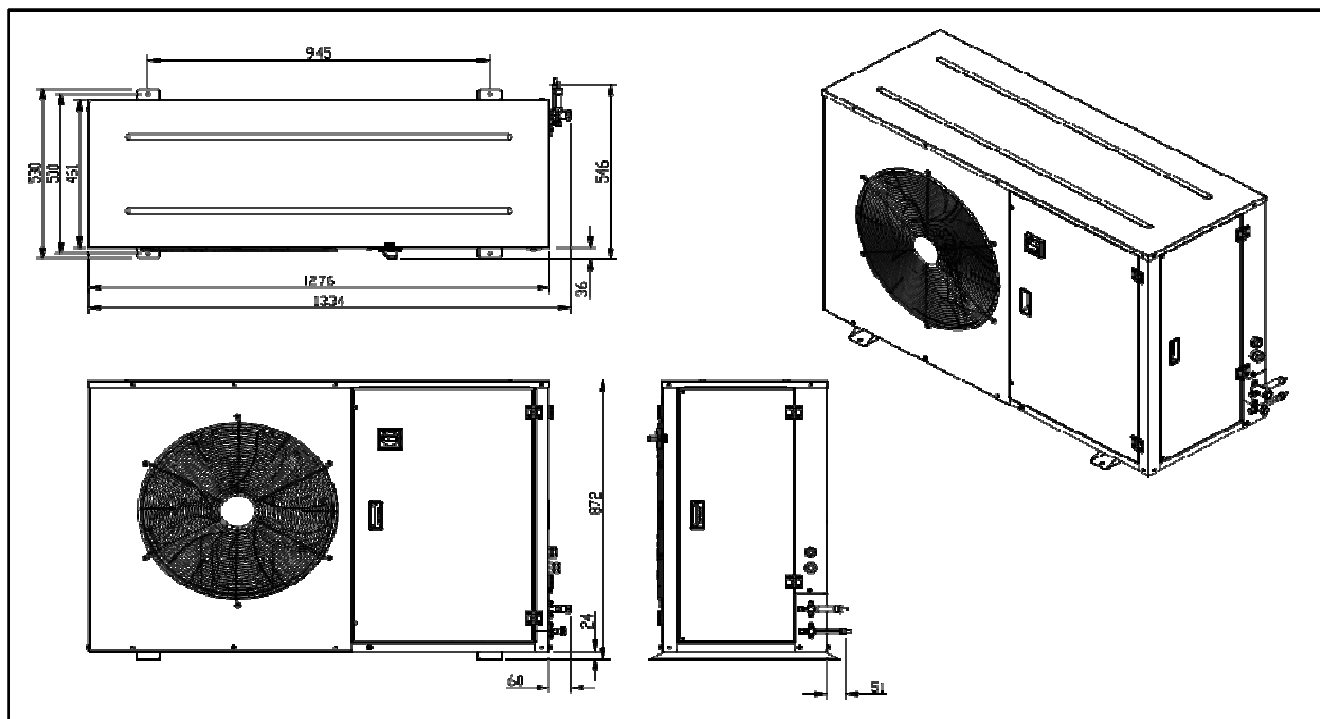
31 dB(A)

Performance Data at -10°C/+32°C Conditions (Ecodesign)

	Capacity (W) 10K SH	Capacity (W) 20°C RGT
R448A	6470	n/a
R449A	6470	n/a

1/1 Octave Sound Pressure Levels @ 1 meter from the unit (60rps)

Frequency							
125 Hz	250 Hz	500 Hz	1 kHz	2 kHz	4 kHz	8 kHz	A (dBA)
57.7	54.3	48.2	45.3	42.3	35.5	33.4	51.3



Product Information based on the requirements of Commission Regulation EU 2015/1095

Model : JEHSI-033-B3-M-3

Refrigerant fluid:		R448A	R449A	
Item	Symbol	Value		Unit
Evaporating temperature*	t	-10		°C
Annual electricity consumption	Q	13113	13113	kWh/a
Seasonal Energy Performance Ratio	$SEPR$	3.03	3.03	
Parameters at full load and ambient temperature 32°C (Point A)				
Rated cooling capacity	P_A	6.47	6.47	kW
Rated power input	D_A	3.61	3.61	kW
Rated COP	COP_A	1.79	1.79	
Parameters at part load and ambient temperature 25°C (Point B)				
Declared cooling capacity	P_B	5.787	5.787	kW
Declared power input	D_B	2.460	2.460	kW
Declared COP	COP_B	2.35	2.35	
Parameters at part load and ambient temperature 15°C (Point C)				
Declared cooling capacity	P_C	4.899	4.899	kW
Declared power input	D_C	1.580	1.580	kW
Declared COP	COP_C	3.10	3.10	
Parameters at part load and ambient temperature 5°C (Point D)				
Declared cooling capacity	P_D	3.900	3.900	kW
Declared power input	D_D	1.138	1.138	kW
Declared COP	COP_D	3.43	3.43	
Parameters at full load and ambient temperature 43°C				
Cooling capacity	P_3	5.90	5.90	kW
Power input	D_3	4.03	4.03	kW
Declared COP	COP_3	1.47	1.47	
Other items				
Capacity control		Variable		
Coefficient of degradation for fixed and staged capacity units*	Cd	0.25		
Contact details	Daikin Refrigeration Malaysia Sdn. Bhd. Lot 10, Jalan Perusahaan 8, Kawasan Perusahaan Pekan Banting, 42700 Banting, Selangor Darul Ehsan.			

Note: Published data based on condition - superheat 10K.



6IC0300EM-FBBA-55