

Condensing Unit Details

Model JEHSI-066-B3-M-3
Application Medium Temperature

Electrical Supply

400V / 3Ph / 50Hz

Weights & Dimensions

Width 1334 mm
Depth 546 mm
Height 872 mm
Mounting Dims. 945 mm (W) x 500 mm (D)
Weight (Dry) 134 kgs

Compressor Data

Type AGK66FDBMTS
Swept Volume 66.0cm³/rev
Oil Charge 2.30 litres
Nom. Current (A) 7.0
MCC (A) 17.5
LRC (A) n/a

Fan Motors

No. 1
FLC (A) 0.9

Oil Separator

Oil Charge 0.6 litre

Condenser Coil

Type Al-Cu Fin / Tube
Volume 6.89 litres

Liquid Receiver

Volume 6.2 litres

Airflow

Volume 4100 m³/h

Applicable Refrigerants

R448A/R449A

Unit Connections

Liquid 1/2"
Suction 3/4"

Sound Pressure Level @ 10m (-10°C/+32°C) - 60rps

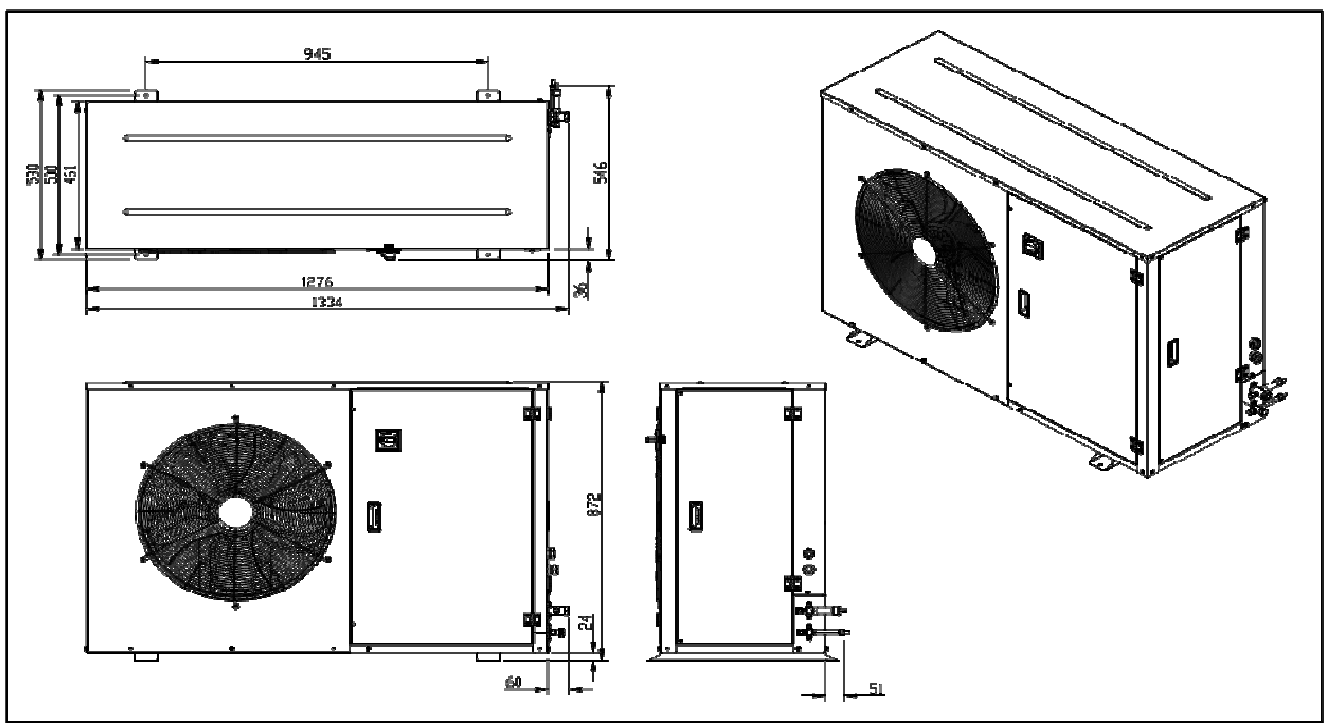
40 dB(A)

Performance Data at -10°C/+32°C Conditions (Ecodesign)

	Capacity (W) 10K SH	Capacity (W) 20°C RGT
R448A	12250	n/a
R449A	12250	n/a

1/1 Octave Sound Pressure Levels @ 1 meter from the unit (60rps)

Frequency							
125 Hz	250 Hz	500 Hz	1 kHz	2 kHz	4 kHz	8 kHz	A (dBA)
64.1	61.6	57.5	54.3	49.9	43.7	35.6	59.8



Product Information based on the requirements of Commission Regulation EU 2015/1095

Model : JEHSI-066-B3-M-3

Refrigerant fluid:		R448A	R449A	
Item	Symbol	Value		Unit
Evaporating temperature*	t	-10		°C
Annual electricity consumption	Q	22236	22236	kWh/a
Seasonal Energy Performance Ratio	$SEPR$	3.39	3.39	
Parameters at full load and ambient temperature 32°C (Point A)				
Rated cooling capacity	P_A	12.25	12.25	kW
Rated power input	D_A	7.23	7.23	kW
Rated COP	COP_A	1.69	1.69	
Parameters at part load and ambient temperature 25°C (Point B)				
Declared cooling capacity	P_B	10.963	10.963	kW
Declared power input	D_B	4.640	4.640	kW
Declared COP	COP_B	2.36	2.36	
Parameters at part load and ambient temperature 15°C (Point C)				
Declared cooling capacity	P_C	9.259	9.259	kW
Declared power input	D_C	2.750	2.750	kW
Declared COP	COP_C	3.37	3.37	
Parameters at part load and ambient temperature 5°C (Point D)				
Declared cooling capacity	P_D	7.171	7.171	kW
Declared power input	D_D	1.700	1.700	kW
Declared COP	COP_D	4.22	4.22	
Parameters at full load and ambient temperature 43°C				
Cooling capacity	P_3	N/A	N/A	kW
Power input	D_3	N/A	N/A	kW
Declared COP	COP_3	N/A	N/A	
Other items				
Capacity control		Variable		
Coefficient of degradation for fixed and staged capacity units*	C_d	0.25		
Contact details	Daikin Refrigeration Malaysia Sdn. Bhd. Lot 10, Jalan Perusahaan 8, Kawasan Perusahaan Pekan Banting, 42700 Banting, Selangor Darul Ehsan.			

Note: Published data based on condition - superheat 10K.



6IC0600EM-FBBA-55