

Condensing Unit Details

Model JEHSI-087-B4-M-3
Application Medium Temperature

Electrical Supply

400V / 3Ph / 50Hz

Weights & Dimensions

Width 1348 mm
Depth 600 mm
Height 1727 mm
Mounting Dims. 940 mm (W) x 560 mm (D)
Weight (Dry) 212 kgs

Compressor Data

Type AGK87FDCMTS
Swept Volume 87.1cm³/rev
Oil Charge 2.30 litres
Nom. Current (A) 8.8
MCC (A) 24.0
LRC (A) n/a

Fan Motors

No. 2
FLC (A) 1.8 (2x 0.9)

Oil Separator

Oil Charge 0.6 litre

Condenser Coil

Type Al-Cu Fin / Tube
Volume 8.73 litres

Liquid Receiver

Volume 13.6 litres

Airflow

Volume 8500 m³/h

Applicable Refrigerants

R448A/R449A

Unit Connections

Liquid 3/4"
Suction 7/8"

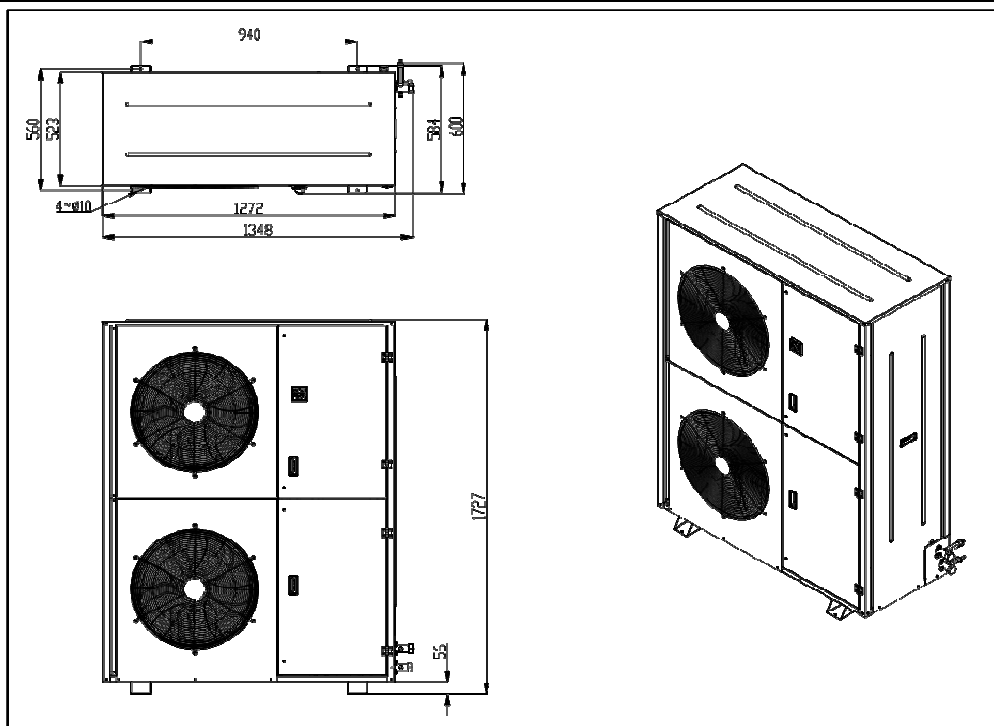
Sound Pressure Level @ 10m (-10°C/+32°C) - 60rps

44 dB(A)

Performance Data at -10°C/+32°C Conditions (Ecodesign)

	Capacity (W) 10K SH	Capacity (W) 20°C RGT
R448A	17560	n/a
R449A	17560	n/a

1/1 Octave Sound Pressure Levels @ 1 meter from the unit (60rps)							
Frequency							
125 Hz	250 Hz	500 Hz	1 kHz	2 kHz	4 kHz	8 kHz	A (dB(A))
69.9	65.3	61.7	58.1	53.8	47.3	38.5	64.1



Product Information based on the requirements of Commission Regulation EU 2015/1095

Model : JEHSI-087-B4-M-3

Refrigerant fluid:		R448A	R449A	
Item	Symbol	Value		Unit
Evaporating temperature*	t	-10		°C
Annual electricity consumption	Q	29956	29956	kWh/a
Seasonal Energy Performance Ratio	$SEPR$	3.60	3.60	
Parameters at full load and ambient temperature 32°C (Point A)				
Rated cooling capacity	P_A	17.56	17.56	kW
Rated power input	D_A	9.74	9.74	kW
Rated COP	COP_A	1.80	1.80	
Parameters at part load and ambient temperature 25°C (Point B)				
Declared cooling capacity	P_B	15.803	15.803	kW
Declared power input	D_B	6.480	6.480	kW
Declared COP	COP_B	2.44	2.44	
Parameters at part load and ambient temperature 15°C (Point C)				
Declared cooling capacity	P_C	13.164	13.164	kW
Declared power input	D_C	3.780	3.780	kW
Declared COP	COP_C	3.48	3.48	
Parameters at part load and ambient temperature 5°C (Point D)				
Declared cooling capacity	P_D	10.266	10.266	kW
Declared power input	D_D	2.180	2.180	kW
Declared COP	COP_D	4.71	4.71	
Parameters at full load and ambient temperature 43°C				
Cooling capacity	P_3	13.163	13.163	kW
Power input	D_3	11.377	11.377	kW
Declared COP	COP_3	1.16	1.16	
Other items				
Capacity control		Variable		
Coefficient of degradation for fixed and staged capacity units*	C_d	0.25		
Contact details	Daikin Refrigeration Malaysia Sdn. Bhd. Lot 10, Jalan Perusahaan 8, Kawasan Perusahaan Pekan Banting, 42700 Banting, Selangor Darul Ehsan.			

Note: Published data based on condition - superheat 10K.



6IC0900EM-FBBA-55