

CONDENSING UNIT SPECIFICATION SHEET

Condensing Unit Details

Model: JEHS-0400-B3-M-3
 Application: Medium Temperature

Electrical Supply

400V / 3Ph / 50Hz

Weights & Dimensions

Width: 1353 mm
 Depth: 575 mm
 Height: 872 mm
 Mounting Dims.: 945 mm (W) x 500 mm (D)
 Weight (Dry): 128 kgs

Compressor Data

Type: ZBD29KQE-TFD
 Swept Volume: 11.40 m³/h
 Oil Charge: 1.36 litres
 Nom. Current (A): 5.7
 MCC (A): 10.8
 LRC (A): 48.0

Fan Motors

No.: 1
 FLC (A): 0.9

Oil Separator

Oil Charge: 0.6 litre

Condenser Coil

Type: Fin & Tube
 Volume: 4.42 litres

Liquid Receiver

Volume: 7.6 litres

Airflow

Volume: 4250 m³/h

Applicable Refrigerants

R404A/R407A/R407F/R448A/R449A

Unit Connections

Liquid: 1/2"
 Suction: 7/8"

Sound Pressure Level @ 10m (-10°C/+32°C)

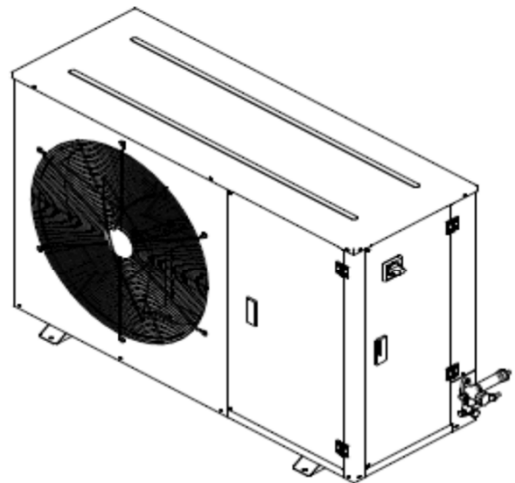
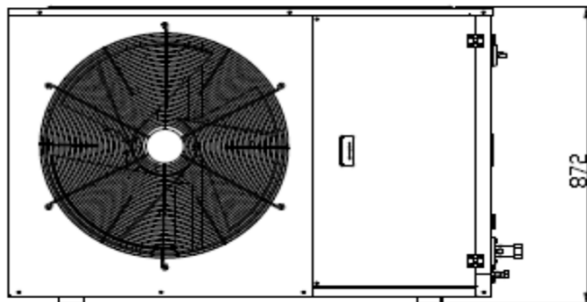
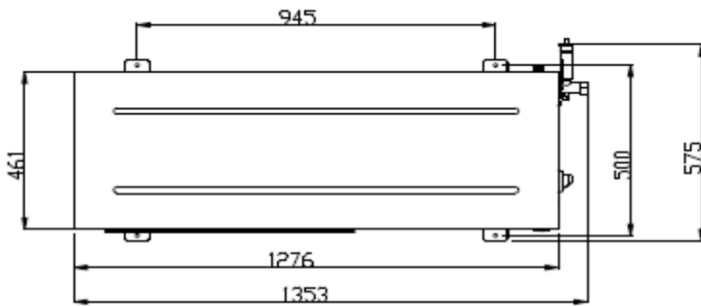
39 dB(A)

Performance Data at -10°C/+32°C Conditions

	CC (W)	PC (W)	COP	SEPR
R404A	6720	3110	2.16	3.13
R407A	6440	2970	2.17	3.26
R407F	6910	3260	2.12	3.23
R448A	6380	3060	2.08	3.15
R449A	6380	3060	2.08	3.15

1/1 Octave Sound Pressure Levels @ 1 meter from the unit

Frequency							
125 Hz	250 Hz	500 Hz	1 kHz	2 kHz	4 kHz	8 kHz	A (dBA)
62.4	58.0	55.4	53.9	51.1	43.8	35.5	58.6



Product Information based on the requirements of Commission Regulation EU 2015/1095

Model : JEHSD-0400-B3-M-3

Refrigerant fluid:		R404A	R407A	R407F	R448A	R449A	
Item	Symbol	Value					Unit
Evaporating temperature*	t	-10					°C
Annual electricity consumption	Q	13181	12137	13166	12449	12449	kWh/a
Seasonal Energy Performance Ratio	$SEPR$	3.13	3.26	3.23	3.15	3.15	
Parameters at full load and ambient temperature 32 °C							
(Point A)							
Rated cooling capacity	P_A	6.72	6.44	6.91	6.38	6.38	kW
Rated power input	D_A	3.11	2.97	3.26	3.06	3.06	kW
Rated COP	COP_A	2.16	2.17	2.12	2.08	2.08	
Parameters at part load and ambient temperature 25 °C							
(Point B)							
Declared cooling capacity	P_B	7.524	7.083	7.560	6.969	6.969	kW
Declared power input	D_B	2.750	2.570	2.840	2.750	2.750	kW
Declared COP	COP_B	2.74	2.76	2.66	2.53	2.53	
Parameters at part load and ambient temperature 15 °C							
(Point C)							
Declared cooling capacity	P_C	8.320	7.750	8.360	7.770	7.770	kW
Declared power input	D_C	2.440	2.190	2.370	2.280	2.280	kW
Declared COP	COP_C	3.41	3.54	3.53	3.41	3.41	
Parameters at part load and ambient temperature 5 °C							
(Point D)							
Declared cooling capacity	P_D	9.000	8.280	8.920	8.380	8.380	kW
Declared power input	D_D	2.180	1.910	2.070	1.940	1.940	kW
Declared COP	COP_D	4.13	4.34	4.31	4.32	4.32	
Parameters at full load and ambient temperature 43 °C							
Cooling capacity	P_3	5.35	5.41	N/A	5.39	5.39	kW
Power input	D_3	3.90	3.72	N/A	3.57	3.57	kW
Declared COP	COP_3	1.37	1.45	N/A	1.51	1.51	
Other items							
Capacity control	Variable						
Coefficient of degradation for fixed and staged capacity units*	C_d	0.25					
Contact details	Daikin Refrigeration Malaysia Sdn. Bhd. Lot 10, Jalan Perusahaan 8, Kawasan Perusahaan Pekan Banting, 42700 Banting, Selangor Darul Ehsan.						

Note: Published data based on condition - superheat 10K.



6DC0400EM-FBBA-55