

CONDENSING UNIT SPECIFICATION SHEET

Condensing Unit Details

Model: JEHS-0600-B3-M-3
 Application: Medium Temperature

Electrical Supply

400V / 3Ph / 50Hz

Weights & Dimensions

Width: 1353 mm
 Depth: 575 mm
 Height: 872 mm
 Mounting Dims.: 945 mm (W) x 500 mm (D)
 Weight (Dry): 134 kgs

Compressor Data

Type: ZBD45KQE-TFD
 Swept Volume: 17.10 m³/h
 Oil Charge: 1.89 litres
 Nom. Current (A): 8.6
 MCC (A): 13.5
 LRC (A): 74.0

Fan Motors

No.: 1
 FLC (A): 0.9

Oil Separator

Oil Charge: 0.6 litre

Condenser Coil

Type: Fin & Tube
 Volume: 6.89 litres

Liquid Receiver

Volume: 7.6 litres

Airflow

Volume: 4100 m³/h

Applicable Refrigerants

R404A/R407A/R407F/R448A/R449A

Unit Connections

Liquid: 1/2"
 Suction: 7/8"

Sound Pressure Level @ 10m (-10°C/+32°C)

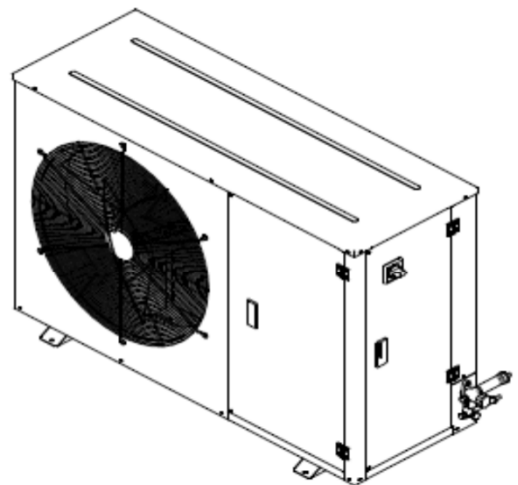
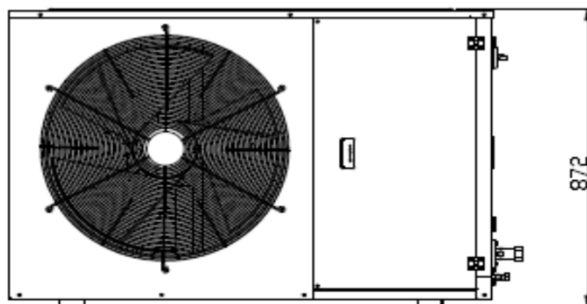
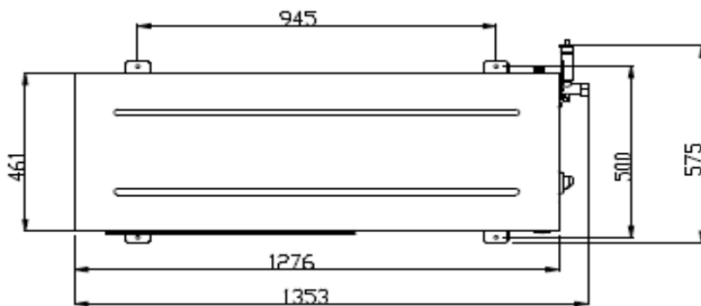
40 dB(A)

Performance Data at -10°C/+32°C Conditions

	CC (W)	PC (W)	COP	SEPR
R404A	9480	4950	1.92	2.87
R407A	9150	4490	2.04	3.24
R407F	9730	4720	2.06	3.08
R448A	9320	4630	2.01	2.93
R449A	9320	4630	2.01	2.93

1/1 Octave Sound Pressure Levels @ 1 meter from the unit

Frequency							
125 Hz	250 Hz	500 Hz	1 kHz	2 kHz	4 kHz	8 kHz	A (dBA)
60.2	59.4	56.4	56.2	52.2	44.5	35.2	60.2



Product Information based on the requirements of Commission Regulation EU 2015/1095

Model : JEHSD-0600-B3-M-3

Refrigerant fluid:		R404A	R407A	R407F	R448A	R449A	
Item	Symbol	Value					Unit
Evaporating temperature*	t	-10					°C
Annual electricity consumption	Q	20289	17354	19408	19550	19550	kWh/a
Seasonal Energy Performance Ratio	$SEPR$	2.87	3.24	3.08	2.93	2.93	
Parameters at full load and ambient temperature 32 °C							
(Point A)							
Rated cooling capacity	P_A	9.48	9.15	9.73	9.32	9.32	kW
Rated power input	D_A	4.95	4.49	4.72	4.63	4.63	kW
Rated COP	COP_A	1.92	2.04	2.06	2.01	2.01	
Parameters at part load and ambient temperature 25 °C							
(Point B)							
Declared cooling capacity	P_B	10.614	10.148	10.909	10.174	10.174	kW
Declared power input	D_B	4.480	3.850	4.190	4.130	4.130	kW
Declared COP	COP_B	2.37	2.64	2.60	2.46	2.46	
Parameters at part load and ambient temperature 15 °C							
(Point C)							
Declared cooling capacity	P_C	12.049	11.350	12.000	11.271	11.271	kW
Declared power input	D_C	3.880	3.150	3.520	3.530	3.530	kW
Declared COP	COP_C	3.11	3.60	3.41	3.19	3.19	
Parameters at part load and ambient temperature 5 °C							
(Point D)							
Declared cooling capacity	P_D	13.500	11.950	12.700	12.205	12.205	kW
Declared power input	D_D	3.400	2.760	3.140	3.140	3.140	kW
Declared COP	COP_D	3.97	4.33	4.04	3.89	3.89	
Parameters at full load and ambient temperature 43 °C							
Cooling capacity	P_3	7.48	N/A	N/A	7.79	7.79	kW
Power input	D_3	5.88	N/A	N/A	5.67	5.67	kW
Declared COP	COP_3	1.27	N/A	N/A	1.37	1.37	
Other items							
Capacity control		Variable					
Coefficient of degradation for fixed and staged capacity units*	C_d	0.25					
Contact details	Daikin Refrigeration Malaysia Sdn. Bhd. Lot 10, Jalan Perusahaan 8, Kawasan Perusahaan Pekan Banting, 42700 Banting, Selangor Darul Ehsan.						

Note: Published data based on condition - superheat 10K.



6DC0600EM-FBBA-55