

CONDENSING UNIT SPECIFICATION SHEET

Condensing Unit Details

Model	JEHS-0800-B4-M-3
Application	Medium Temperature

Electrical Supply

400V / 3Ph / 50Hz

Weights & Dimensions

Width	1348 mm
Depth	612 mm
Height	1727 mm
Mounting Dims.	940 mm (W) x 560 mm (D)
Weight (Dry)	231 kgs

Compressor Data

Type	ZBD57KCE-TFD
Swept Volume	22.10 m ³ /h
Oil Charge	1.89 litres
Nom. Current (A)	10.4
MCC (A)	15.9
LRC (A)	102.0

Fan Motors

No.	2
FLC (A)	1.8 (2x 0.9)

Oil Separator

Oil Charge	0.6 litre
------------	-----------

Condenser Coil

Type	Fin & Tube
Volume	8.70 litres

Liquid Receiver

Volume	13.6 litres
--------	-------------

Airflow

Volume	8500 m ³ /h
--------	------------------------

Applicable Refrigerants

R404A/R407A/R407F/R448A/R449A

Unit Connections

Liquid	3/4"
Suction	1 1/8"

Sound Pressure Level @ 10m (-10°C/+32°C)

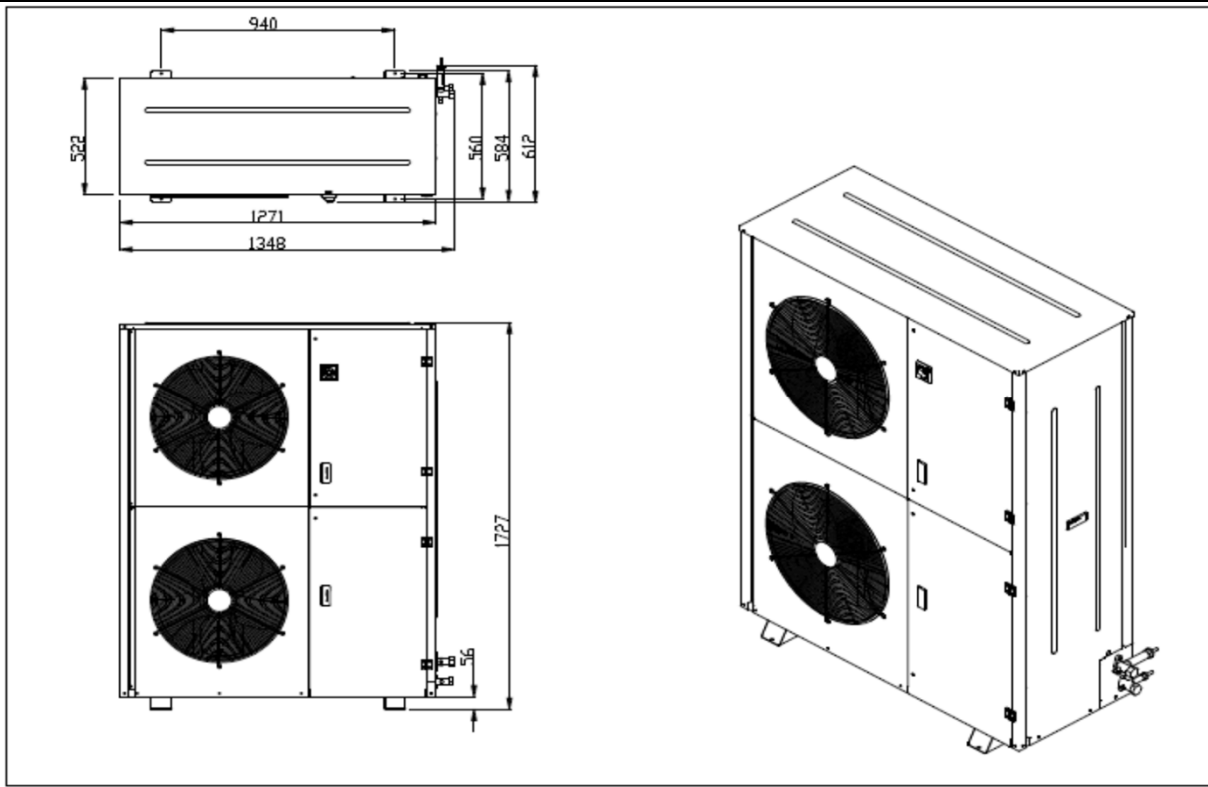
44 dB(A)

Performance Data at -10°C/+32°C Conditions

	CC (W)	PC (W)	COP	SEPR
R404A	12650	6090	2.08	2.87
R407A	12200	6480	1.88	2.75
R407F	12450	6400	1.95	2.84
R448A	12300	5510	2.23	2.75
R449A	12300	5510	2.23	2.75

1/1 Octave Sound Pressure Levels @ 1 meter from the unit

Frequency							
125 Hz	250 Hz	500 Hz	1 kHz	2 kHz	4 kHz	8 kHz	A (dBA)
65.2	62.8	61.5	58.6	54.8	49.3	41.1	63.5



Product Information based on the requirements of Commission Regulation EU 2015/1095

Model : JEHSD-0800-B4-M-3

Refrigerant fluid:		R404A	R407A	R407F	R448A	R449A	
Item	Symbol	Value					Unit
Evaporating temperature*	t	-10					°C
Annual electricity consumption	Q	27081	27239	26943	27465	27465	kWh/a
Seasonal Energy Performance Ratio	$SEPR$	2.87	2.75	2.84	2.75	2.75	
Parameters at full load and ambient temperature 32 °C (Point A)							
Rated cooling capacity	P_A	12.65	12.20	12.45	12.30	12.30	kW
Rated power input	D_A	6.09	6.48	6.40	5.52	5.52	kW
Rated COP	COP_A	2.08	1.88	1.95	2.23	2.23	
Parameters at part load and ambient temperature 25 °C (Point B)							
Declared cooling capacity	P_B	14.300	13.700	13.950	13.500	13.500	kW
Declared power input	D_B	5.400	5.530	5.450	5.020	5.020	kW
Declared COP	COP_B	2.65	2.48	2.56	2.69	2.69	
Parameters at part load and ambient temperature 15 °C (Point C)							
Declared cooling capacity	P_C	15.650	14.850	15.100	14.450	14.450	kW
Declared power input	D_C	4.900	4.860	4.800	4.730	4.730	kW
Declared COP	COP_C	3.19	3.06	3.15	3.05	3.05	
Parameters at part load and ambient temperature 5 °C (Point D)							
Declared cooling capacity	P_D	16.450	15.500	15.750	15.000	15.000	kW
Declared power input	D_D	4.610	4.490	4.430	4.600	4.600	kW
Declared COP	COP_D	3.57	3.45	3.56	3.26	3.26	
Parameters at full load and ambient temperature 43 °C							
Cooling capacity	P_3	9.98	N/A	N/A	10.35	10.35	kW
Power input	D_3	7.28	N/A	N/A	6.71	6.71	kW
Declared COP	COP_3	1.37	N/A	N/A	1.54	1.54	
Other items							
Capacity control		Variable					
Coefficient of degradation for fixed and staged capacity units*	C_d	0.25					
Contact details	Daikin Refrigeration Malaysia Sdn. Bhd. Lot 10, Jalan Perusahaan 8, Kawasan Perusahaan Pekan Banting, 42700 Banting, Selangor Darul Ehsan.						

Note: Published data based on condition - superheat 10K.



6DC0800EM-FBBA-55