

Condensing Unit Details

Model JEHSDT-1201-B5-M-3
 Application Medium Temperature

Condenser Coil

Type Al-Cu Fin/Tube
 Volume 8.8 litres

Electrical Supply

400V / 3Ph / 50Hz

Liquid Receiver

Volume 18.0 litres

Weights & Dimensions

Width 1387 mm
 Depth 851 mm
 Height 1697 mm
 Mounting Dims. 940mm (W) x 808mm (D)
 Weight (Dry) 315 kgs

Airflow

Volume 7,100 m³/h

Applicable Refrigerants

R407A/R407F/R448A/R449A

Compressor Data

Type ZB45KQE-TFD / ZBD45KQE-TFD
 Swept Volume 17.1 / 17.1 m³/h
 Oil Charge 1.89 / 1.89 litres
 Nom. Current (A) 9.2 / 7.5
 MCC (A) 14.2 / 13.5
 LRC (A) 74.0 / 74.0

Unit Connections

Liquid 3/4"
 Suction 1 3/8"

Sound Pressure Level @ 10m free field (-10°C/+32°C)

44 dB(A)

Performance Data at -10°C/+32°C Conditions

| | Capacity (W) 10K SH | Capacity (W) 20°C RGT |
|-------|---------------------|-----------------------|
| R407A | 18080 | 18718 |
| R407F | 18844 | 19260 |
| R448A | 19006 | 19607 |
| R449A | 19006 | 19607 |

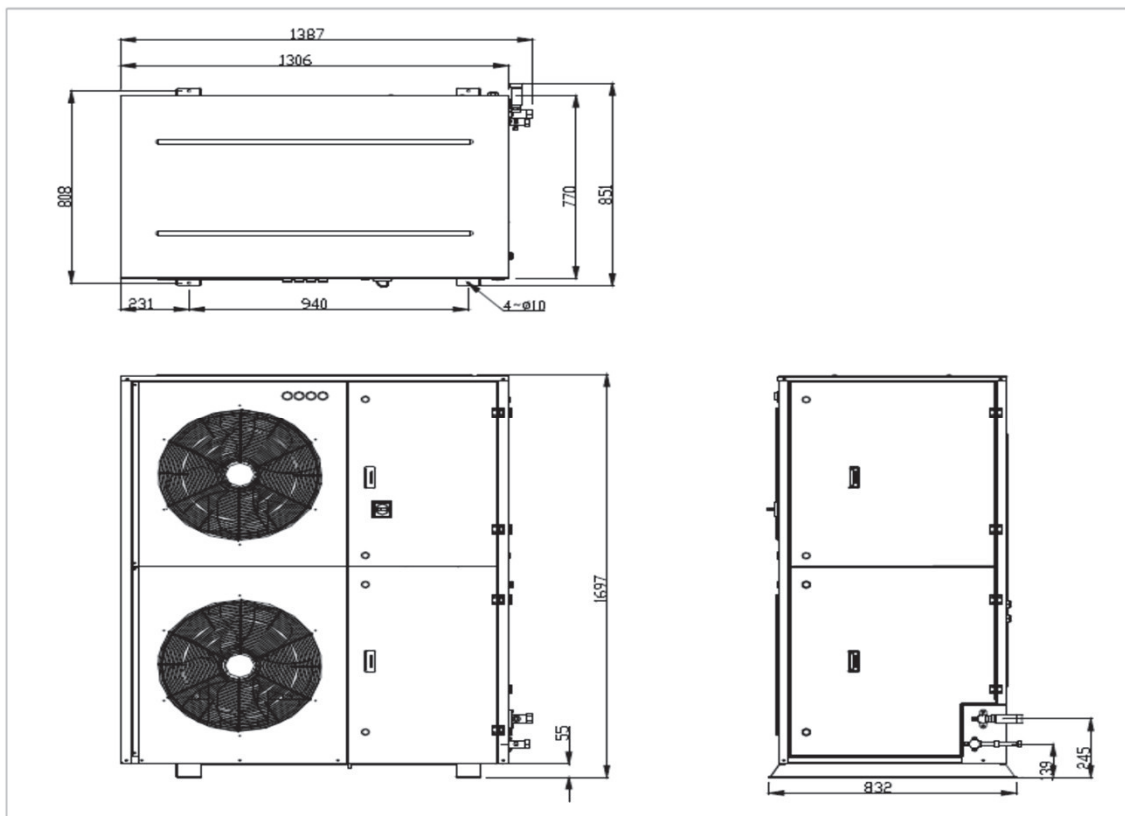
Fan Motors

No. 2
 FLC (A) 1.8 (2x 0.9)

Oil Separator/Reservoir

Oil Charge 1.5 litres

| 1/1 Octave Sound Pressure Levels @ 1 meter from the unit | | | | | | | |
|--|--------|--------|-------|-------|-------|-------|---------|
| Frequency | | | | | | | |
| 125 Hz | 250 Hz | 500 Hz | 1 kHz | 2 kHz | 4 kHz | 8 kHz | A (dBA) |
| 68.6 | 65.9 | 62.1 | 58.0 | 53.8 | 48.6 | 43.5 | 64.0 |



Ecodesign 2018 Condensing Unit Information

Model: JEHSDT-1201-B5-M-3

| Refrigerant fluid: | | R407A | R407F | R448A | R449A | |
|--|---|----------|--------|--------|--------|-------|
| Item | Symbol | Value | | | | Unit |
| Evaporating temperature* | t | -10 | | | | °C |
| Annual electricity consumption | Q | 39268 | 40561 | 40925 | 40925 | kWh/a |
| Seasonal Energy Performance Ratio | $SEPR$ | 2.83 | 2.86 | 2.86 | 2.86 | |
| Parameters at full load and ambient temperature 32 °C (Point A) | | | | | | |
| Rated cooling capacity | P_A | 18.08 | 18.84 | 19.01 | 19.01 | kW |
| Rated power input | D_A | 9.51 | 9.94 | 9.11 | 9.11 | kW |
| Rated COP | COP_A | 1.90 | 1.90 | 2.09 | 2.09 | |
| Parameters at part load and ambient temperature 25 °C (Point B) | | | | | | |
| Declared cooling capacity | P_B | 19.702 | 20.524 | 20.250 | 20.250 | kW |
| Declared power input | D_B | 8.405 | 8.687 | 8.279 | 8.279 | kW |
| Declared COP | COP_B | 2.34 | 2.36 | 2.45 | 2.45 | |
| Parameters at part load and ambient temperature 15 °C (Point C) | | | | | | |
| Declared cooling capacity | P_C | 21.551 | 22.513 | 21.980 | 21.980 | kW |
| Declared power input | D_C | 7.173 | 7.393 | 7.222 | 7.222 | kW |
| Declared COP | COP_C | 3.00 | 3.05 | 3.04 | 3.04 | |
| Parameters at part load and ambient temperature 5 °C (Point D) | | | | | | |
| Declared cooling capacity | P_D | 23.325 | 24.480 | 23.596 | 23.596 | kW |
| Declared power input | D_D | 6.054 | 6.309 | 6.320 | 6.320 | kW |
| Declared COP | COP_D | 3.85 | 3.88 | 3.73 | 3.73 | |
| Parameters at full load and ambient temperature 43 °C | | | | | | |
| Cooling capacity | P_3 | N/A | N/A | 15.44 | 15.44 | kW |
| Power input | D_3 | N/A | N/A | 11.93 | 11.93 | kW |
| Declared COP | COP_3 | N/A | N/A | 1.29 | 1.29 | |
| Other items | | | | | | |
| Capacity control | | Variable | | | | |
| Coefficient of degradation for fixed and staged capacity units* | C_d | 0.25 | | | | |
| Contact details | Daikin Refrigeration Malaysia Sdn. Bhd. Lot 10, Jalan Perusahaan 8, Kawasan Perusahaan Pekan Banting, 42700 Banting, Selangor Darul Ehsan. | | | | | |

Note: Published data based on dew point condition - Superheat 10K