

Condensing Unit Details

Model JEHSDT-1600-B6-M-3
 Application Medium Temperature

Condenser Coil

Type Al-Cu Fin/Tube
 Volume 19.0 litres

Electrical Supply

400V / 3Ph / 50Hz

Liquid Receiver

Volume 18.0 litres

Weights & Dimensions

Width 1735 mm
 Depth 854 mm
 Height 1727 mm
 Mounting Dims. (Please refer to drawing)
 Weight (Dry) 380 kgs

Airflow

Volume 8,200 m³/h

Applicable Refrigerants

R404A/R407A/R407F/R448A/R449A

Compressor Data

Type ZB57KCE-TFD / ZBD57KCE-TFD
 Swept Volume 21.4 / 21.4 m³/h
 Oil Charge 1.89 / 1.89 litres
 Nom. Current (A) 9.7 / 9.7
 MCC (A) 21.3 / 21.3
 LRC (A) 102.0 / 102.0

Unit Connections

Liquid 3/4"
 Suction 1 3/8"

Sound Pressure Level @ 10m free field (-10°C/+32°C)

44 dB(A)

Fan Motors

No. 2
 FLC (A) 1.8 (2x 0.9)

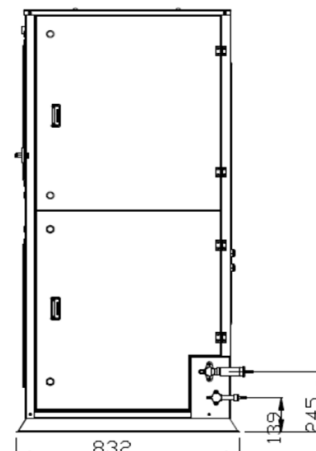
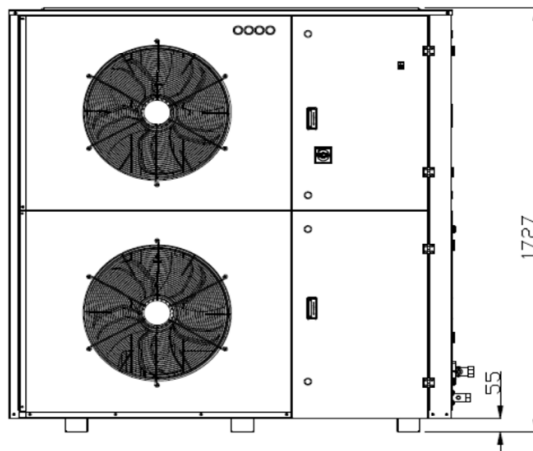
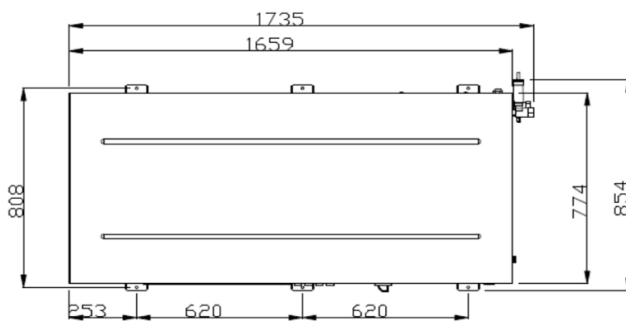
Performance Data at -10°C/+32°C Conditions

	Capacity (W) 10K SH	Capacity (W) 20°C RGT
R404A	24200	26100
R407A	23800	n/a
R407F	24250	n/a
R448A	23700	24550
R449A	23700	24550

Oil Separator/Reservoir

Oil Charge 2.5 litres

1/1 Octave Sound Pressure Levels @ 1 meter from the unit							
Frequency							
125 Hz	250 Hz	500 Hz	1 kHz	2 kHz	4 kHz	8 kHz	A (dBA)
70.6	66.6	60.3	58.4	52.9	47.9	39.3	63.9



Product Information based on the requirements of Commission Regulation EU 2015/1095

Model : JEHSDT-1600-B6-M-3

Refrigerant fluid:		R404A	R407A	R407F	R448A	R449A	
Item	Symbol	Value					Unit
Evaporating temperature*	t	-10					°C
Annual electricity consumption	Q	54325	54942	55280	53583	53583	kWh/a
Seasonal Energy Performance Ratio	$SEPR$	2.74	2.66	2.70	2.72	2.72	
Parameters at full load and ambient temperature 32 °C							
(Point A)							
Rated cooling capacity	P_A	24.20	23.80	24.25	23.70	23.70	kW
Rated power input	D_A	12.26	13.02	12.56	11.26	11.26	kW
Rated COP	COP_A	1.97	1.83	1.93	2.10	2.10	
Parameters at part load and ambient temperature 25 °C							
(Point B)							
Declared cooling capacity	P_B	26.800	26.100	26.550	25.550	25.550	kW
Declared power input	D_B	11.140	11.460	11.280	10.320	10.320	kW
Declared COP	COP_B	2.41	2.28	2.35	2.48	2.48	
Parameters at part load and ambient temperature 15 °C							
(Point C)							
Declared cooling capacity	P_C	30.600	29.400	29.600	28.350	28.350	kW
Declared power input	D_C	9.620	9.480	9.480	9.110	9.110	kW
Declared COP	COP_C	3.18	3.10	3.12	3.11	3.11	
Parameters at part load and ambient temperature 5 °C							
(Point D)							
Declared cooling capacity	P_D	31.300	29.900	30.050	28.850	28.850	kW
Declared power input	D_D	9.400	9.200	9.210	8.950	8.950	kW
Declared COP	COP_D	3.33	3.25	3.26	3.22	3.22	
Parameters at full load and ambient temperature 43 °C							
Cooling capacity	P_3	20.20	N/A	N/A	20.80	20.80	kW
Power input	D_3	14.06	N/A	N/A	12.85	12.85	kW
Declared COP	COP_3	1.44	N/A	N/A	1.62	1.62	
Other items							
Capacity control		Variable					
Coefficient of degradation for fixed and staged capacity units*	C_d	0.25					
Contact details	Daikin Refrigeration Malaysia Sdn. Bhd. Lot 10, Jalan Perusahaan 8, Kawasan Perusahaan Pekan Banting, 42700 Banting, Selangor Darul Ehsan.						

Note: Published data based on condition - superheat 10K.



6FC1600EM-FBBA-55