

CONDENSING UNIT SPECIFICATION SHEET

Condensing Unit Details

Model	JEHS-0350-B3-M-1
Application	Medium Temperature

Electrical Supply

230V / 1Ph / 50Hz

Weights & Dimensions

Width	1353 mm
Depth	575 mm
Height	872 mm
Mounting Dims.	945 mm (W) x 500 mm (D)
Weight (Dry)	112 kgs

Compressor Data

Type	ZB26KQE-PFJ
Swept Volume	9.90 m ³ /h
Oil Charge	1.50 litres
Nom. Current (A)	13.9
MCC (A)	25.0
LRC (A)	97.0

Fan Motors

No.	1
FLC (A)	0.9

Condenser Coil

Type	Al-Cu Fin/Tube
Volume	4.42 litres

Liquid Receiver

Volume	7.6 litres
--------	------------

Airflow

Volume	4250 m ³ /h
--------	------------------------

Applicable Refrigerants

R134a/R404A/R407A/R407F/R448A/R449A

Unit Connections

Liquid	1/2"
Suction	3/4"

Sound Pressure Level @ 10m (-10°C/+32°C)

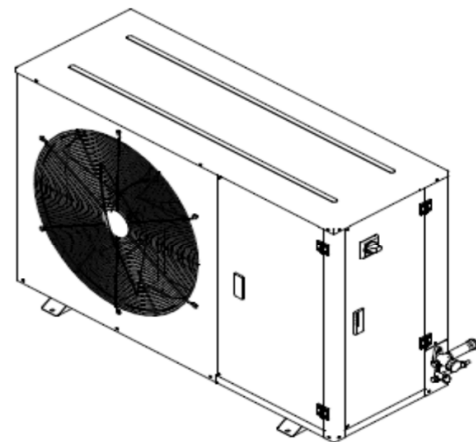
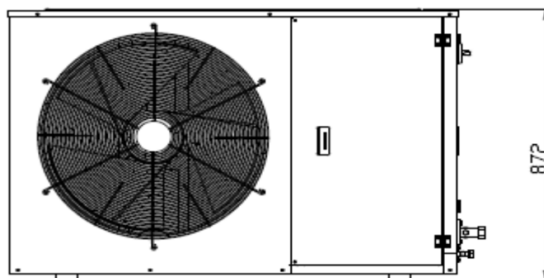
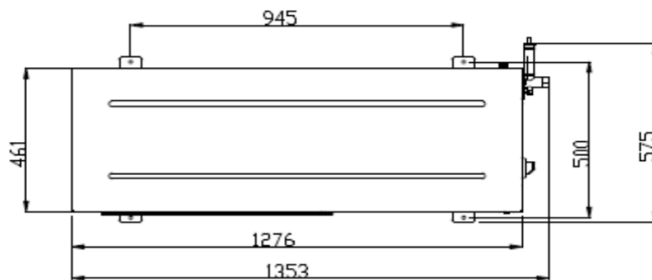
37 dB(A)

Performance Data at -10°C/+32°C Conditions

	Capacity (W) 10K SH	Capacity (W) 20°C RGT
R134a	3610	3730
R404A	5540	5930
R407A	5400	5560
R407F	5390	5520
R448A	5600	5760
R449A	5600	5760

1/1 Octave Sound Pressure Levels @ 1 meter from the unit

Frequency							
125 Hz	250 Hz	500 Hz	1 kHz	2 kHz	4 kHz	8 kHz	A (dBA)
58.9	58.1	54.9	52.2	46.5	40.0	30.8	56.8



Product Information based on the requirements of Commission Regulation EU 2015/1095

Model : JEHS-0350-B3-M-1

Refrigerant fluid:		R404A	R407A	R407F	R448A	R449A	
Item	Symbol	Value					Unit
Evaporating temperature*	t	-10					°C
Annual electricity consumption	Q	11418	9976	10740	11736	11736	kWh/a
Seasonal Energy Performance Ratio	$SEPR$	3.19	3.43	3.16	3.02	3.02	
Parameters at full load and ambient temperature 32 °C							
(Point A)							
Rated cooling capacity	P_A	5.93	5.56	5.52	5.76	5.76	kW
Rated power input	D_A	3.15	2.53	2.84	2.83	2.83	kW
Rated COP	COP_A	1.88	2.20	1.94	2.04	2.04	
Parameters at part load and ambient temperature 25 °C							
(Point B)							
Declared cooling capacity	P_B	6.650	6.050	6.070	6.250	6.250	kW
Declared power input	D_B	2.730	2.220	2.430	2.440	2.440	kW
Declared COP	COP_B	2.44	2.73	2.50	2.56	2.56	
Parameters at part load and ambient temperature 15 °C							
(Point C)							
Declared cooling capacity	P_C	7.700	6.710	6.700	6.720	6.720	kW
Declared power input	D_C	2.180	1.840	1.970	2.110	2.110	kW
Declared COP	COP_C	3.53	3.65	3.40	3.18	3.18	
Parameters at part load and ambient temperature 5 °C							
(Point D)							
Declared cooling capacity	P_D	8.390	7.320	7.150	7.250	7.250	kW
Declared power input	D_D	1.860	1.530	1.630	1.790	1.790	kW
Declared COP	COP_D	4.51	4.78	4.39	4.05	4.05	
Parameters at full load and ambient temperature 43 °C							
Cooling capacity	P_3	4.74	N/A	N/A	4.99	4.99	kW
Power input	D_3	3.95	N/A	N/A	3.54	3.54	kW
Declared COP	COP_3	1.20	N/A	N/A	1.41	1.41	
Other items							
Capacity control		Fixed					
Coefficient of degradation for fixed and staged capacity units*	C_d	0.25					
Contact details	Daikin Refrigeration Malaysia Sdn. Bhd. Lot 10, Jalan Perusahaan 8, Kawasan Perusahaan Pekan Banting, 42700 Banting, Selangor Darul Ehsan.						

Note: Published data based on condition - Return Gas Temperature 20° C



6SC0360EM-ABBA-55

Refrigerant fluid:		R134a	
Item	Symbol	Value	Unit
Evaporating temperature*	t	-10	°C
Parameters at full load and ambient temperature 32 °C			
Rated cooling capacity	P_A	3.73	kW
Rated power input	D_A	1.75	kW
Rated COP	COP_A	2.13	
Parameters at full load and ambient temperature 25 °C			
Rated cooling capacity	P_2	4.00	kW
Rated power input	D_2	1.54	kW
Rated COP	COP_2	2.60	
Parameters at full load and ambient temperature 43 °C			
Rated cooling capacity	P_3	N/A	kW
Rated power input	D_3	N/A	kW
Rated COP	COP_3	N/A	
Other items			
Capacity control		Fixed	
Coefficient of degradation for fixed and staged capacity units*	C_d	0.25	
Contact details	Daikin Refrigeration Malaysia Sdn. Bhd. Lot 10, Jalan Perusahaan 8, Kawasan Perusahaan Pekan Banting, 42700 Banting, Selangor Darul Ehsan.		