

CONDENSING UNIT SPECIFICATION SHEET

Condensing Unit Details

Model JEHS-0350-B3-M-3
 Application Medium Temperature

Electrical Supply

400V / 3Ph / 50Hz

Weights & Dimensions

Width 1353 mm
 Depth 575 mm
 Height 872 mm
 Mounting Dims. 945 mm (W) x 500 mm (D)
 Weight (Dry) 112 kgs

Compressor Data

Type ZB26KQE-TFD
 Swept Volume 9.90 m³/h
 Oil Charge 1.50 litres
 Nom. Current (A) 5.9
 MCC (A) 9.0
 LRC (A) 46.0

Fan Motors

No. 1
 FLC (A) 0.9

Condenser Coil

Type Al-Cu Fin/Tube
 Volume 4.42 litres

Liquid Receiver

Volume 7.6 litres

Airflow

Volume 4250 m³/h

Applicable Refrigerants

R134a/R404A/R407A/R407F/R448A/R449A

Unit Connections

Liquid 1/2"
 Suction 3/4"

Sound Pressure Level @ 10m (-10°C/+32°C)

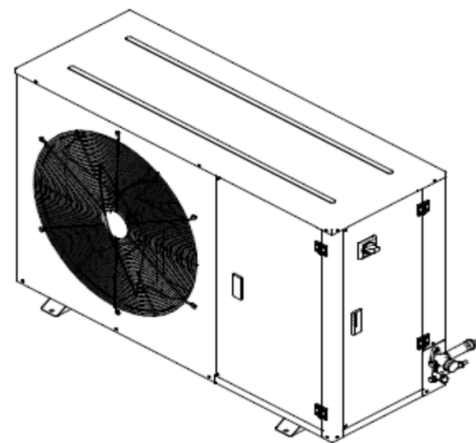
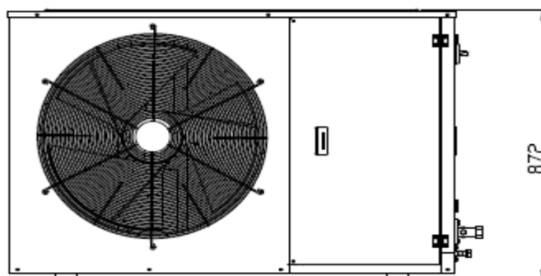
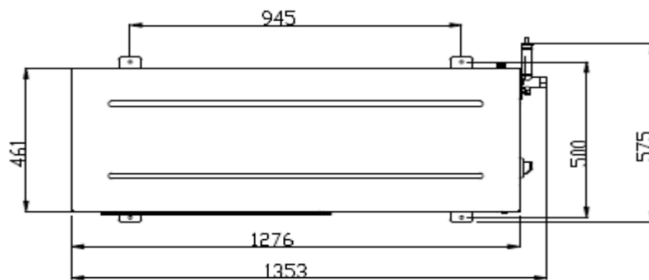
37 dB(A)

Performance Data at -10°C/+32°C Conditions

	Capacity (W) 10K SH	Capacity (W) 20°C RGT
R134a	3690	3810
R404A	5920	6320
R407A	5610	5770
R407F	5610	5730
R448A	5600	5760
R449A	5600	5760

1/1 Octave Sound Pressure Levels @ 1 meter from the unit

Frequency							
125 Hz	250 Hz	500 Hz	1 kHz	2 kHz	4 kHz	8 kHz	A (dBA)
58.9	58.1	54.9	52.2	46.5	40.0	30.8	56.8



Product Information based on the requirements of Commission Regulation EU 2015/1095

Model : JEHS-0350-B3-M-3

Refrigerant fluid:		R404A	R407A	R407F	R448A	R449A	
Item	Symbol	Value					Unit
Evaporating temperature*	t	-10					°C
Annual electricity consumption	Q	10719	10187	10933	11736	11736	kWh/a
Seasonal Energy Performance Ratio	$SEPR$	3.62	3.48	3.22	3.02	3.02	
Parameters at full load and ambient temperature 32 °C							
(Point A)							
Rated cooling capacity	P_A	6.32	5.77	5.73	5.76	5.76	kW
Rated power input	D_A	2.88	2.58	2.91	2.83	2.83	kW
Rated COP	COP_A	2.19	2.24	1.97	2.04	2.04	
Parameters at part load and ambient temperature 25 °C							
(Point B)							
Declared cooling capacity	P_B	6.990	6.260	6.280	6.250	6.250	kW
Declared power input	D_B	2.490	2.260	2.480	2.440	2.440	kW
Declared COP	COP_B	2.81	2.77	2.53	2.56	2.56	
Parameters at part load and ambient temperature 15 °C							
(Point C)							
Declared cooling capacity	P_C	7.960	6.940	6.880	6.720	6.720	kW
Declared power input	D_C	1.990	1.870	1.990	2.110	2.110	kW
Declared COP	COP_C	4.00	3.71	3.46	3.18	3.18	
Parameters at part load and ambient temperature 5 °C							
(Point D)							
Declared cooling capacity	P_D	8.590	7.560	7.310	7.250	7.250	kW
Declared power input	D_D	1.710	1.560	1.630	1.790	1.790	kW
Declared COP	COP_D	5.02	4.85	4.48	4.05	4.05	
Parameters at full load and ambient temperature 43 °C							
Cooling capacity	P_3	5.21	N/A	N/A	4.99	4.99	kW
Power input	D_3	3.60	N/A	N/A	3.54	3.54	kW
Declared COP	COP_3	1.45	N/A	N/A	1.41	1.41	
Other items							
Capacity control		Fixed					
Coefficient of degradation for fixed and staged capacity units*	C_d	0.25					
Contact details	Daikin Refrigeration Malaysia Sdn. Bhd. Lot 10, Jalan Perusahaan 8, Kawasan Perusahaan Pekan Banting, 42700 Banting, Selangor Darul Ehsan.						

Note: Published data based on condition - Return Gas Temperature 20° C



6SC0360EM-FBBA-55

Refrigerant fluid:		R134a	
Item	Symbol	Value	Unit
Evaporating temperature*	t	-10	°C
Parameters at full load and ambient temperature 32 °C			
Rated cooling capacity	P_A	3.80	kW
Rated power input	D_A	1.61	kW
Rated COP	COP_A	2.36	
Parameters at full load and ambient temperature 25 °C			
Rated cooling capacity	P_2	4.06	kW
Rated power input	D_2	1.42	kW
Rated COP	COP_2	2.86	
Parameters at full load and ambient temperature 43 °C			
Rated cooling capacity	P_3	N/A	kW
Rated power input	D_3	N/A	kW
Rated COP	COP_3	N/A	
Other items			
Capacity control		Fixed	
Coefficient of degradation for fixed and staged capacity units*	C_d	0.25	
Contact details	Daikin Refrigeration Malaysia Sdn. Bhd. Lot 10, Jalan Perusahaan 8, Kawasan Perusahaan Pekan Banting, 42700 Banting, Selangor Darul Ehsan.		