

CONDENSING UNIT SPECIFICATION SHEET

Condensing Unit Details

Model JEHS-0400-B3-L-3
Application Low Temperature

Electrical Supply

400V / 3Ph / 50Hz

Weights & Dimensions

Width 1353 mm
Depth 575 mm
Height 872 mm
Mounting Dims. 945 mm (W) x 500 mm (D)
Weight (Dry) 132 kgs

Compressor Data

Type ZF13KQE-TFD
Swept Volume 11.80 m³/h
Oil Charge 1.90 litres
Nom. Current (A) 4.9
MCC (A) 10.0
LRC (A) 51.5

Oil Separator

Oil Charge 0.60 litre

Fan Motors

No. 1
FLC (A) 0.9

Condenser Coil

Type Al-Cu Fin/Tube
Volume 4.42 litres

Liquid Receiver

Volume 7.6 litres

Airflow

Volume 4250 m³/h

Applicable Refrigerants

R404A/R407A/R407F/R448A/R449A

Unit Connections

Liquid 1/2"
Suction 7/8"

Sound Pressure Level @ 10m (-25°C/+32°C)

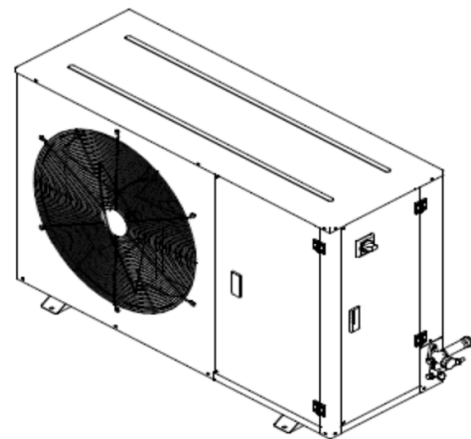
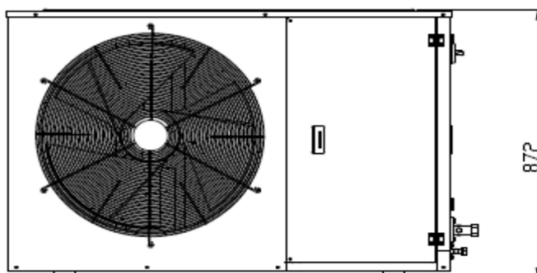
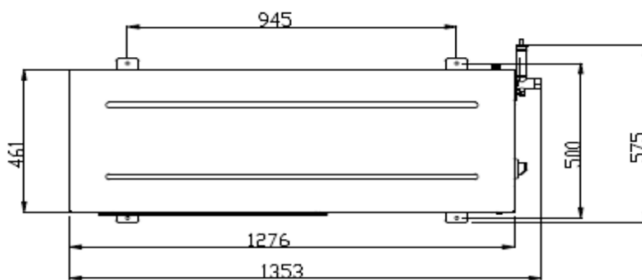
37 dB(A)

Performance Data at -35°C/+32°C Conditions

	Capacity (W) 10K SH	Capacity (W) 20°C RGT
R404A	2520	2910
R407A	2130	2290
R407F	2260	2380
R448A	2380	2530
R449A	2380	2530

1/1 Octave Sound Pressure Levels @ 1 meter from the unit

Frequency							
125 Hz	250 Hz	500 Hz	1 kHz	2 kHz	4 kHz	8 kHz	A (dBA)
57.5	57.0	55.3	53.3	48.0	41.5	32.4	57.4



Product Information based on the requirements of Commission Regulation EU 2015/1095

Model : JEHS-0400-B3-L-3

Refrigerant fluid:		R404A	R407A	R407F	R448A	R449A	
Item	Symbol	Value					Unit
Evaporating temperature*	t	-35					°C
Annual electricity consumption	Q	11555	10212	10730	11276	11276	kWh/a
Seasonal Energy Performance Ratio	$SEPR$	1.88	1.67	1.65	1.67	1.67	
Parameters at full load and ambient temperature 32 °C							
(Point A)							
Rated cooling capacity	P_A	2.91	2.29	2.38	2.53	2.53	kW
Rated power input	D_A	2.38	2.33	2.51	2.48	2.48	kW
Rated COP	COP_A	1.22	0.98	0.95	1.02	1.02	
Parameters at part load and ambient temperature 25 °C							
(Point B)							
Declared cooling capacity	P_B	3.170	2.460	2.580	2.720	2.720	kW
Declared power input	D_B	2.110	1.980	2.090	2.100	2.100	kW
Declared COP	COP_B	1.50	1.24	1.23	1.30	1.30	
Parameters at part load and ambient temperature 15 °C							
(Point C)							
Declared cooling capacity	P_C	3.550	2.690	2.830	2.990	2.990	kW
Declared power input	D_C	1.790	1.590	1.680	1.710	1.710	kW
Declared COP	COP_C	1.98	1.69	1.68	1.75	1.75	
Parameters at part load and ambient temperature 5 °C							
(Point D)							
Declared cooling capacity	P_D	3.810	2.900	3.040	3.210	3.210	kW
Declared power input	D_D	1.610	1.290	1.370	1.500	1.500	kW
Declared COP	COP_D	2.37	2.25	2.22	2.14	2.14	
Parameters at full load and ambient temperature 43 °C							
Cooling capacity	P_3	2.49	2.01	2.04	2.23	2.23	kW
Power input	D_3	2.91	2.98	3.30	3.29	3.29	kW
Declared COP	COP_3	0.86	0.67	0.62	0.68	0.68	
Other items							
Capacity control		Fixed					
Coefficient of degradation for fixed and staged capacity units*	Cd	0.25					
Contact details	Daikin Refrigeration Malaysia Sdn. Bhd. Lot 10, Jalan Perusahaan 8, Kawasan Perusahaan Pekan Banting, 42700 Banting, Selangor Darul Ehsan.						

Note: Published data based on condition - Return Gas Temperature 20 °C



6SC0400EL-FBBA-55