

CONDENSING UNIT SPECIFICATION SHEET

Condensing Unit Details

Model	JEHS-0400-B3-M-1
Application	Medium Temperature

Electrical Supply

230V / 1Ph / 50Hz

Weights & Dimensions

Width	1353 mm
Depth	575 mm
Height	872 mm
Mounting Dims.	945 mm (W) x 500 mm (D)
Weight (Dry)	119 kgs

Compressor Data

Type	ZB29KQE-PFJ
Swept Volume	11.40 m ³ /h
Oil Charge	1.36 litres
Nom. Current (A)	16.1
MCC (A)	28.0
LRC (A)	114.0

Fan Motors

No.	1
FLC (A)	0.9

Condenser Coil

Type	Al-Cu Fin/Tube
Volume	4.42 litres

Liquid Receiver

Volume	7.6 litres
--------	------------

Airflow

Volume	4250 m ³ /h
--------	------------------------

Applicable Refrigerants

R134a/R404A/R407A/R407F/R448A/R449A

Unit Connections

Liquid	1/2"
Suction	7/8"

Sound Pressure Level @ 10m (-10°C/+32°C)

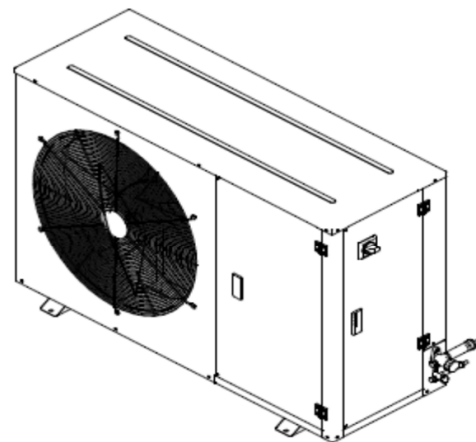
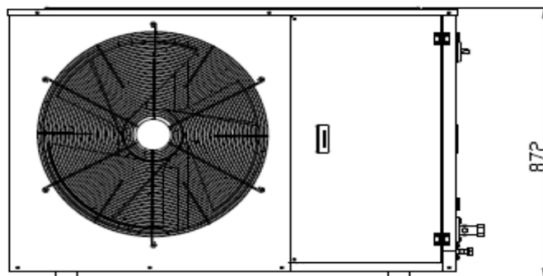
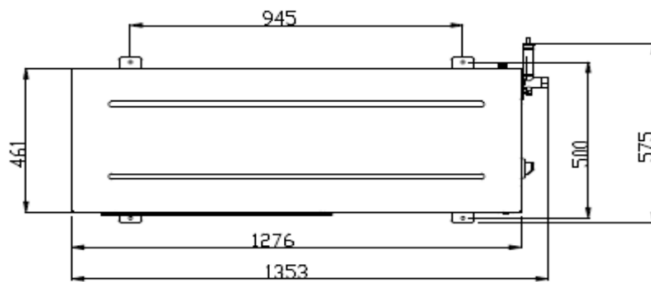
37 dB(A)

Performance Data at -10°C/+32°C Conditions

	Capacity (W) 10K SH	Capacity (W) 20°C RGT
R134a	4900	5050
R404A	6650	7120
R407A	6910	7110
R407F	6850	6980
R448A	6170	6370
R449A	6170	6370

1/1 Octave Sound Pressure Levels @ 1 meter from the unit

Frequency							
125 Hz	250 Hz	500 Hz	1 kHz	2 kHz	4 kHz	8 kHz	A (dBA)
66.8	57.8	54.1	52.3	47.6	41.0	31.7	57.2



Product Information based on the requirements of Commission Regulation EU 2015/1095

Model : JEHS-0400-B3-M-1

Refrigerant fluid:		R404A	R407A	R407F	R448A	R449A	
Item	Symbol	Value					Unit
Evaporating temperature*	t	-10					°C
Annual electricity consumption	Q	12946	12123	12112	12512	12512	kWh/a
Seasonal Energy Performance Ratio	$SEPR$	3.38	3.61	3.54	3.13	3.13	
Parameters at full load and ambient temperature 32°C							
(Point A)							
Rated cooling capacity	P_A	7.12	7.11	6.98	6.37	6.37	kW
Rated power input	D_A	3.20	3.02	3.23	3.22	3.22	kW
Rated COP	COP_A	2.23	2.35	2.16	1.98	1.98	
Parameters at part load and ambient temperature 25°C							
(Point B)							
Declared cooling capacity	P_B	7.880	7.690	7.640	6.900	6.900	kW
Declared power input	D_B	2.860	2.660	2.790	2.750	2.750	kW
Declared COP	COP_B	2.76	2.89	2.74	2.51	2.51	
Parameters at part load and ambient temperature 15°C							
(Point C)							
Declared cooling capacity	P_C	8.890	8.390	8.410	7.540	7.540	kW
Declared power input	D_C	2.440	2.190	2.240	2.260	2.260	kW
Declared COP	COP_C	3.64	3.83	3.75	3.34	3.34	
Parameters at part load and ambient temperature 5°C							
(Point D)							
Declared cooling capacity	P_D	9.830	8.870	9.050	8.160	8.160	kW
Declared power input	D_D	2.110	1.790	1.790	1.890	1.890	kW
Declared COP	COP_D	4.66	4.96	5.06	4.32	4.32	
Parameters at full load and ambient temperature 43°C							
Cooling capacity	P_3	5.84	N/A	N/A	5.57	5.57	kW
Power input	D_3	3.85	N/A	N/A	4.08	4.08	kW
Declared COP	COP_3	1.52	N/A	N/A	1.37	1.37	
Other items							
Capacity control		Fixed					
Coefficient of degradation for fixed and staged capacity units*	Cd	0.25					
Contact details	Daikin Refrigeration Malaysia Sdn. Bhd. Lot 10, Jalan Perusahaan 8, Kawasan Perusahaan Pekan Banting, 42700 Banting, Selangor Darul Ehsan.						

Note: Published data based on condition - Return Gas Temperature 20°C



6SC0400EM-ABBA-55