

CONDENSING UNIT SPECIFICATION SHEET

Condensing Unit Details

Model JEHS-0500-B3-L-3
Application Low Temperature

Electrical Supply

400V / 3Ph / 50Hz

Weights & Dimensions

Width 1353 mm
Depth 575 mm
Height 872 mm
Mounting Dims. 945 mm (W) x 500 mm (D)
Weight (Dry) 132 kgs

Compressor Data

Type ZF15KQE-TFD
Swept Volume 14.50 m³/h
Oil Charge 1.90 litres
Nom. Current (A) 6.7
MCC (A) 12.0
LRC (A) 64.0

Oil Separator

Oil Charge 0.60 litre

Fan Motors

No. 1
FLC (A) 0.9

Condenser Coil

Type Al-Cu Fin/Tube
Volume 4.42 litres

Liquid Receiver

Volume 7.6 litres

Airflow

Volume 4250 m³/h

Applicable Refrigerants

R404A/R407A/R407F/R448A/R449A

Unit Connections

Liquid 1/2"
Suction 7/8"

Sound Pressure Level @ 10m (-25°C/+32°C)

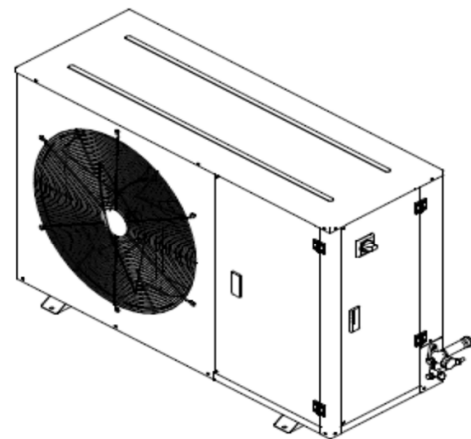
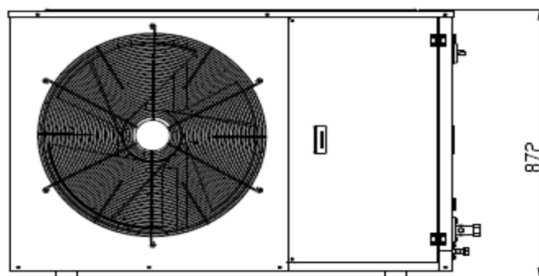
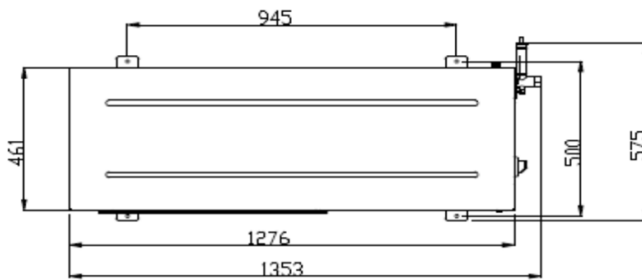
39 dB(A)

Performance Data at -35°C/+32°C Conditions

	Capacity (W) 10K SH	Capacity (W) 20°C RGT
R404A	3040	3530
R407A	2570	2770
R407F	2720	2870
R448A	2850	3040
R449A	2850	3040

1/1 Octave Sound Pressure Levels @ 1 meter from the unit

Frequency							
125 Hz	250 Hz	500 Hz	1 kHz	2 kHz	4 kHz	8 kHz	A (dBA)
63.2	58.4	57.5	53.9	48.6	42.6	33.6	58.8



Product Information based on the requirements of Commission Regulation EU 2015/1095

Model : JEHS-0500-B3-L-3

Refrigerant fluid:		R404A	R407A	R407F	
Item	Symbol	Value			Unit
Evaporating temperature*	t	-35			°C
Annual electricity consumption	Q	14732	12364	13018	kWh/a
Seasonal Energy Performance Ratio	$SEPR$	1.79	1.67	1.64	
Parameters at full load and ambient temperature 32 °C (Point A)					
Rated cooling capacity	P_A	3.53	2.77	2.87	kW
Rated power input	D_A	3.10	2.85	3.08	kW
Rated COP	COP_A	1.14	0.97	0.93	
Parameters at part load and ambient temperature 25 °C (Point B)					
Declared cooling capacity	P_B	3.860	3.010	3.150	kW
Declared power input	D_B	2.740	2.410	2.560	kW
Declared COP	COP_B	1.41	1.25	1.23	
Parameters at part load and ambient temperature 15 °C (Point C)					
Declared cooling capacity	P_C	4.330	3.300	3.460	kW
Declared power input	D_C	2.310	1.950	2.050	kW
Declared COP	COP_C	1.87	1.69	1.69	
Parameters at part load and ambient temperature 5 °C (Point D)					
Declared cooling capacity	P_D	4.670	3.560	3.720	kW
Declared power input	D_D	2.040	1.580	1.690	kW
Declared COP	COP_D	2.29	2.25	2.20	
Parameters at full load and ambient temperature 43 °C					
Cooling capacity	P_3	2.99	2.40	N/A	kW
Power input	D_3	3.78	3.64	N/A	kW
Declared COP	COP_3	0.79	0.66	N/A	
Other items					
Capacity control		Fixed			
Coefficient of degradation for fixed and staged capacity units*	Cd	0.25			
Contact details	Daikin Refrigeration Malaysia Sdn. Bhd. Lot 10, Jalan Perusahaan 8, Kawasan Perusahaan Pekan Banting, 42700 Banting, Selangor Darul Ehsan.				

Note: Published data based on condition - Return Gas Temperature 20° C



6SC0500EL-FBBA-55