

CONDENSING UNIT SPECIFICATION SHEET

Condensing Unit Details

Model	JEHS-0500-B3-M-3
Application	Medium Temperature

Electrical Supply

400V / 3Ph / 50Hz

Weights & Dimensions

Width	1353 mm
Depth	575 mm
Height	872 mm
Mounting Dims.	945 mm (W) x 500 mm (D)
Weight (Dry)	123 kgs

Compressor Data

Type	ZB38KQE-TFD
Swept Volume	14.40 m ³ /h
Oil Charge	2.07 litres
Nom. Current (A)	8.2
MCC (A)	13.5
LRC (A)	65.5

Fan Motors

No.	1
FLC (A)	0.9

Condenser Coil

Type	Al-Cu Fin/Tube
Volume	4.42 litres

Liquid Receiver

Volume	7.6 litres
--------	------------

Airflow

Volume	4250 m ³ /h
--------	------------------------

Applicable Refrigerants

R134a/R404A/R407A/R407F/R448A/R449A

Unit Connections

Liquid	1/2"
Suction	7/8"

Sound Pressure Level @ 10m (-10°C/+32°C)

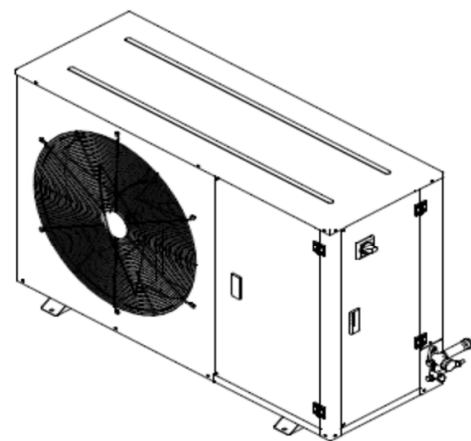
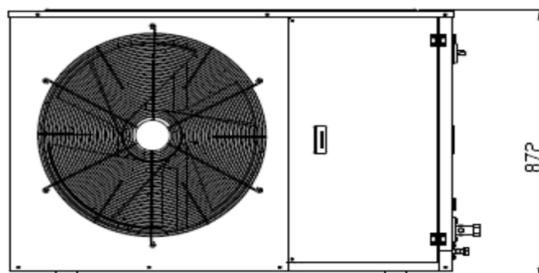
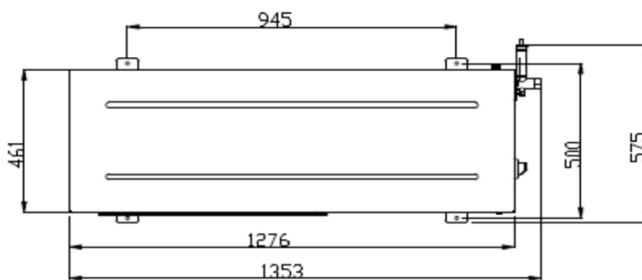
38 dB(A)

Performance Data at -10°C/+32°C Conditions

	Capacity (W) 10K SH	Capacity (W) 20°C RGT
R134a	5240	n/a
R404A	8030	8660
R407A	8030	8280
R407F	7990	8180
R448A	7600	7880
R449A	7600	7880

1/1 Octave Sound Pressure Levels @ 1 meter from the unit

Frequency							
125 Hz	250 Hz	500 Hz	1 kHz	2 kHz	4 kHz	8 kHz	A (dBA)
63.3	59.4	56.2	53.2	48.3	42.1	32.6	58.2



Product Information based on the requirements of Commission Regulation EU 2015/1095

Model : JEHS-0500-B3-M-3

Refrigerant fluid:		R404A	R407A	R407F	R448A	R449A	
Item	Symbol	Value					Unit
Evaporating temperature*	t	-10					°C
Annual electricity consumption	Q	16466	15848	16401	16305	16305	kWh/a
Seasonal Energy Performance Ratio	$SEPR$	3.23	3.21	3.07	2.97	2.97	
Parameters at full load and ambient temperature 32 °C (Point A)							
Rated cooling capacity	P_A	8.66	8.28	8.18	7.88	7.88	kW
Rated power input	D_A	4.39	3.93	4.36	4.43	4.43	kW
Rated COP	COP_A	1.97	2.11	1.88	1.78	1.78	
Parameters at part load and ambient temperature 25 °C (Point B)							
Declared cooling capacity	P_B	9.610	9.000	9.000	8.870	8.870	kW
Declared power input	D_B	3.820	3.460	3.810	3.680	3.680	kW
Declared COP	COP_B	2.52	2.60	2.36	2.41	2.41	
Parameters at part load and ambient temperature 15 °C (Point C)							
Declared cooling capacity	P_C	10.900	9.910	10.000	9.800	9.800	kW
Declared power input	D_C	3.150	2.890	3.090	3.060	3.060	kW
Declared COP	COP_C	3.46	3.43	3.24	3.20	3.20	
Parameters at part load and ambient temperature 5 °C (Point D)							
Declared cooling capacity	P_D	12.050	10.600	10.850	10.600	10.600	kW
Declared power input	D_D	2.600	2.410	2.450	2.570	2.570	kW
Declared COP	COP_D	4.63	4.40	4.43	4.12	4.12	
Parameters at full load and ambient temperature 43 °C							
Cooling capacity	P_3	7.03	N/A	N/A	6.79	6.79	kW
Power input	D_3	5.48	N/A	N/A	5.46	5.46	kW
Declared COP	COP_3	1.28	N/A	N/A	1.24	1.24	
Other items							
Capacity control		Fixed					
Coefficient of degradation for fixed and staged capacity units*	Cd	0.25					
Contact details	Daikin Refrigeration Malaysia Sdn. Bhd. Lot 10, Jalan Perusahaan 8, Kawasan Perusahaan Pekan Banting, 42700 Banting, Selangor Darul Ehsan.						

Note: Published data based on condition - Return Gas Temperature 20 °C



6SC0500EM-FBBA-55