

CONDENSING UNIT SPECIFICATION SHEET

Condensing Unit Details

Model	JEHS-0600-B3-L-3
Application	Low Temperature

Electrical Supply

400V / 3Ph / 50Hz

Weights & Dimensions

Width	1353 mm
Depth	575 mm
Height	872 mm
Mounting Dims.	945 mm (W) x 500 mm (D)
Weight (Dry)	133 kgs

Compressor Data

Type	ZF18KQE-TFD
Swept Volume	17.10 m ³ /h
Oil Charge	1.90 litres
Nom. Current (A)	7.6
MCC (A)	12.5
LRC (A)	74.0

Oil Separator

Oil Charge	0.60 litre
------------	------------

Fan Motors

No.	1
FLC (A)	0.9

Condenser Coil

Type	Al-Cu Fin/Tube
Volume	4.42 litres

Liquid Receiver

Volume	7.6 litres
--------	------------

Airflow

Volume	4250 m ³ /h
--------	------------------------

Applicable Refrigerants

R404A/R407A/R407F/R448A/R449A

Unit Connections

Liquid	1/2"
Suction	7/8"

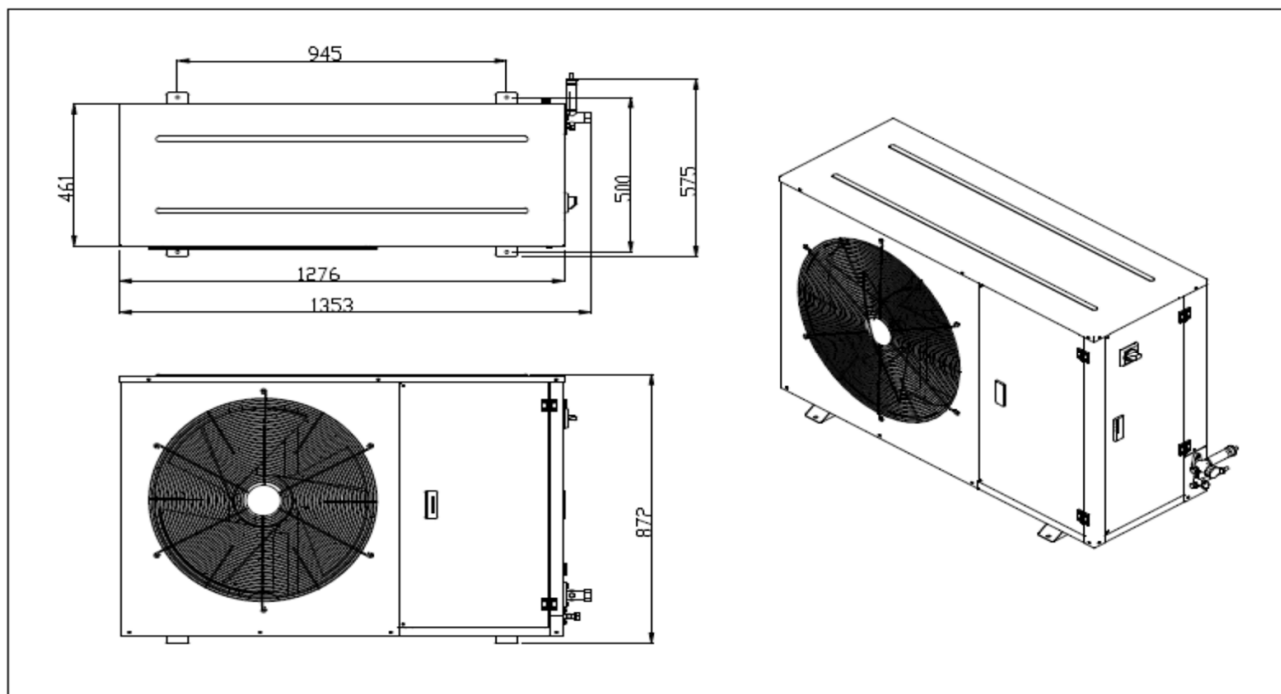
Sound Pressure Level @ 10m (-25°C/+32°C)

41 dB(A)

Performance Data at -35°C/+32°C Conditions

	Capacity (W) 10K SH	Capacity (W) 20°C RGT
R404A	3650	4130
R407A	3070	3310
R407F	3240	3420
R448A	3250	3490
R449A	3250	3490

1/1 Octave Sound Pressure Levels @ 1 meter from the unit							
Frequency							
125 Hz	250 Hz	500 Hz	1 kHz	2 kHz	4 kHz	8 kHz	A (dBA)
60.9	60.6	58.9	56.1	50.6	44.4	35.0	60.6



Product Information based on the requirements of Commission Regulation EU 2015/1095

Model : JEHS-0600-B3-L-3

Refrigerant fluid:		R404A	R407A	R448A	R449A	
Item	Symbol	Value				Unit
Evaporating temperature*	t	-35				°C
Annual electricity consumption	Q	17107	15026	15878	15878	kWh/a
Seasonal Energy Performance Ratio	$SEPR$	1.80	1.64	1.64	1.64	
Parameters at full load and ambient temperature 32 °C						
(Point A)						
Rated cooling capacity	P_A	4.13	3.31	3.49	3.49	kW
Rated power input	D_A	3.90	3.57	4.19	4.19	kW
Rated COP	COP_A	1.06	0.93	0.83	0.83	
Parameters at part load and ambient temperature 25 °C						
(Point B)						
Declared cooling capacity	P_B	4.560	3.580	3.840	3.840	kW
Declared power input	D_B	3.170	2.650	2.970	2.970	kW
Declared COP	COP_B	1.44	1.35	1.29	1.29	
Parameters at part load and ambient temperature 15 °C						
(Point C)						
Declared cooling capacity	P_C	5.130	3.890	4.280	4.280	kW
Declared power input	D_C	2.660	2.310	2.410	2.410	kW
Declared COP	COP_C	1.93	1.68	1.78	1.78	
Parameters at part load and ambient temperature 5 °C						
(Point D)						
Declared cooling capacity	P_D	5.520	4.170	4.560	4.560	kW
Declared power input	D_D	2.430	1.990	2.210	2.210	kW
Declared COP	COP_D	2.27	2.10	2.06	2.06	
Parameters at full load and ambient temperature 43 °C						
Cooling capacity	P_3	3.33	2.88	2.82	2.82	kW
Power input	D_3	5.20	4.48	6.15	6.15	kW
Declared COP	COP_3	0.64	0.64	0.46	0.46	
Other items						
Capacity control		Fixed				
Coefficient of degradation for fixed and staged capacity units*	Cd	0.25				
Contact details	Daikin Refrigeration Malaysia Sdn. Bhd. Lot 10, Jalan Perusahaan 8, Kawasan Perusahaan Pekan Banting, 42700 Banting, Selangor Darul Ehsan.					

Note: Published data based on condition - Return Gas Temperature 20° C



6SC0600EL-FBBA-55