

CONDENSING UNIT SPECIFICATION SHEET

Condensing Unit Details

Model	JEHS-0600-B3-M-3
Application	Medium Temperature

Electrical Supply

400V / 3Ph / 50Hz

Weights & Dimensions

Width	1353 mm
Depth	575 mm
Height	872 mm
Mounting Dims.	945 mm (W) x 500 mm (D)
Weight (Dry)	125 kgs

Compressor Data

Type	ZB45KQE-TFD
Swept Volume	17.10 m ³ /h
Oil Charge	1.89 litres
Nom. Current (A)	8.7
MCC (A)	14.2
LRC (A)	74.0

Fan Motors

No.	1
FLC (A)	0.9

Condenser Coil

Type	Al-Cu Fin/Tube
Volume	6.89 litres

Liquid Receiver

Volume	7.6 litres
--------	------------

Airflow

Volume	4100 m ³ /h
--------	------------------------

Applicable Refrigerants

R134a/R404A/R407A/R407F/R448A/R449A

Unit Connections

Liquid	1/2"
Suction	1-1/8"

Sound Pressure Level @ 10m (-10°C/+32°C)

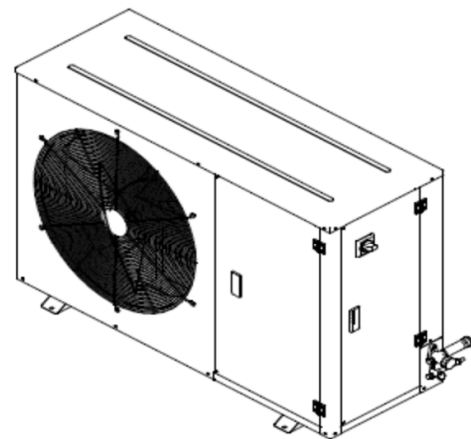
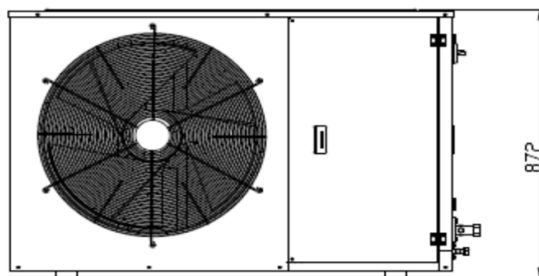
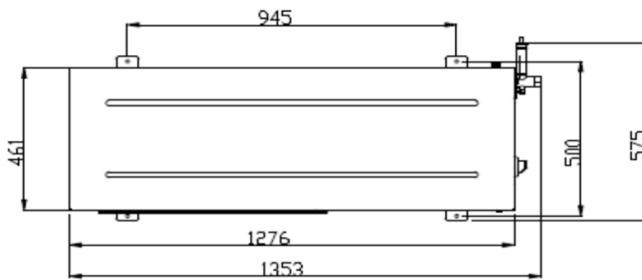
40 dB(A)

Performance Data at -10°C/+32°C Conditions

	Capacity (W) 10K SH	Capacity (W) 20°C RGT
R134a	6160	n/a
R404A	9450	10200
R407A	9240	9540
R407F	9360	9590
R448A	9130	9450
R449A	9130	9450

1/1 Octave Sound Pressure Levels @ 1 meter from the unit

Frequency							
125 Hz	250 Hz	500 Hz	1 kHz	2 kHz	4 kHz	8 kHz	A (dBA)
61.4	61.0	56.9	54.7	49.9	43.1	33.9	59.5



Product Information based on the requirements of Commission Regulation EU 2015/1095

Model : JEHS-0600-B3-M-3

Refrigerant fluid:		R404A	R407A	R407F	R448A	R449A	
Item	Symbol	Value					Unit
Evaporating temperature*	t	-10					°C
Annual electricity consumption	Q	19387	18408	18903	18395	18395	kWh/a
Seasonal Energy Performance Ratio	$SEPR$	3.23	3.19	3.12	3.22	3.22	
Parameters at full load and ambient temperature 32°C							
(Point A)							
Rated cooling capacity	P_A	10.20	9.54	9.59	9.45	9.45	kW
Rated power input	D_A	4.92	4.65	5.03	4.83	4.83	kW
Rated COP	COP_A	2.07	2.05	1.91	1.96	1.96	
Parameters at part load and ambient temperature 25°C							
(Point B)							
Declared cooling capacity	P_B	11.200	10.300	10.550	10.200	10.200	kW
Declared power input	D_B	4.340	4.100	4.410	4.270	4.270	kW
Declared COP	COP_B	2.58	2.51	2.39	2.39	2.39	
Parameters at part load and ambient temperature 15°C							
(Point C)							
Declared cooling capacity	P_C	12.550	11.300	11.750	11.250	11.250	kW
Declared power input	D_C	3.630	3.370	3.560	3.570	3.570	kW
Declared COP	COP_C	3.46	3.35	3.30	3.15	3.15	
Parameters at part load and ambient temperature 5°C							
(Point D)							
Declared cooling capacity	P_D	13.800	12.300	12.700	12.200	12.200	kW
Declared power input	D_D	3.050	2.740	2.820	3.010	3.010	kW
Declared COP	COP_D	4.52	4.49	4.50	4.05	4.05	
Parameters at full load and ambient temperature 43°C							
Cooling capacity	P_3	8.49	N/A	N/A	8.29	8.29	kW
Power input	D_3	6.00	N/A	N/A	5.82	5.82	kW
Declared COP	COP_3	1.42	N/A	N/A	1.42	1.42	
Other items							
Capacity control		Fixed					
Coefficient of degradation for fixed and staged capacity units*	C_d	0.25					
Contact details	Daikin Refrigeration Malaysia Sdn. Bhd. Lot 10, Jalan Perusahaan 8, Kawasan Perusahaan Pekan Banting, 42700 Banting, Selangor Darul Ehsan.						

Note: Published data based on condition - Return Gas Temperature 20°C



6SC0600EM-FBBA-55