

## CONDENSING UNIT SPECIFICATION SHEET

### Condensing Unit Details

Model	JEHR-0140-B2-M-1
Application	Medium Temperature

### Electrical Supply

230V / 1Ph / 50Hz

### Weights & Dimensions

Width	1101 mm
Depth	444 mm
Height	662 mm
Mounting Dims.	703 mm (W) x 408 mm (D)
Weight (Dry)	67 kgs

### Compressor Data

Type	CAJ4517Z
Swept Volume	4.52 m <sup>3</sup> /h
Oil Charge	0.48 litres
Nom. Current (A)	5.3
MCC (A)	12.7
LRC (A)	38.5

### Fan Motors

No.	1
FLC (A)	0.6

### Condenser Coil

Type	Microchannel
Volume	0.51 litres

### Liquid Receiver

Volume	4.5 litres
--------	------------

### Airflow

Volume	2700 m <sup>3</sup> /h
--------	------------------------

### Applicable Refrigerants

R404A/R407A/R407F/R448A/R449A/R452A

### Unit Connections

Liquid	3/8"
Suction	1/2"

### Sound Pressure Level @ 10m (-10°C/+32°C)

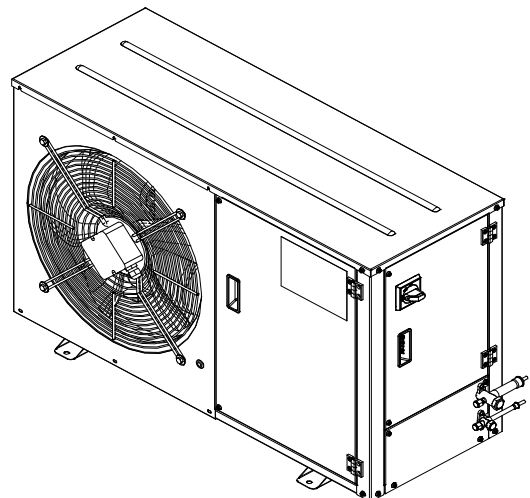
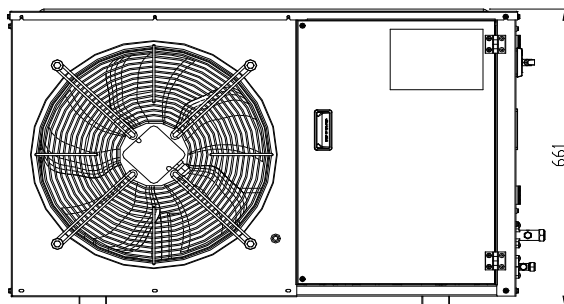
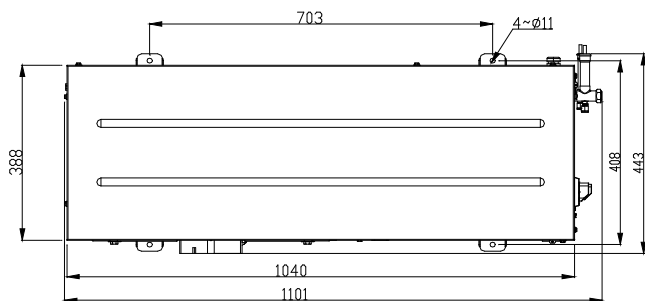
32 dB(A)

### Performance Data at -10°C/+32°C Conditions

	Capacity (W) 10K SH	Capacity (W) 20°C RGT
R404A	2186	2422
R407A	1734	1919
R407F	1873	2075
R448A	2016	2149
R449A	2016	2149
R452A	1995	2196

### 1/1 Octave Sound Pressure Levels @ 1 meter from the unit

Frequency							
125 Hz	250 Hz	500 Hz	1 kHz	2 kHz	4 kHz	8 kHz	A (dBA)
52.0	53.3	52.9	44.8	38.0	29.9	25.6	51.7



# Product Information based on the requirements of Commission Regulation EU 2015/1095

Model : JEHR-0140-B2-M-1

Refrigerant fluid:		R407A	R407F	R448A	R449A	R452A	Unit
Item	Symbol	Value					Unit
Evaporating temperature*	$t$	-10					°C
<b>Parameters at full load and ambient temperature 32° C</b>							
Rated cooling capacity	$P_A$	1.92	2.08	2.15	2.15	2.20	kW
Rated power input	$D_A$	1.11	1.07	1.03	1.03	1.15	kW
Rated COP	$COP_A$	1.74	1.93	2.09	2.09	1.92	
<b>Parameters at full load and ambient temperature 25° C</b>							
Cooling capacity	$P_2$	1.94	2.15	2.36	2.36	2.41	kW
Power input	$D_2$	1.04	0.97	0.98	0.98	1.10	kW
COP	$COP_2$	1.87	2.22	2.42	2.42	2.18	
<b>Parameters at full load and ambient temperature 43° C</b>							
Cooling capacity	$P_3$	1.79	1.85	1.79	1.79	1.83	kW
Power input	$D_3$	1.15	1.17	1.11	1.11	1.20	kW
COP	$COP_3$	1.56	1.58	1.62	1.62	1.52	
<b>Other items</b>							
Capacity control	Fixed						
Coefficient of degradation for fixed and staged capacity units*	$Cd$	0.25					
Contact details	Daikin Refrigeration Malaysia Sdn. Bhd. Lot 10, Jalan Perusahaan 8, Kawasan Perusahaan Pekan Banting, 42700 Banting, Selangor Darul Ehsan.						

Note: Published data based on condition - Return Gas Temperature 20° C



6RC0140EM-ABBA-55