

CONDENSING UNIT SPECIFICATION SHEET

Condensing Unit Details

Model	JEHR-0140-B2-M-3
Application	Medium Temperature

Electrical Supply

400V / 3Ph / 50Hz

Weights & Dimensions

Width	1101 mm
Depth	444 mm
Height	662 mm
Mounting Dims.	703 mm (W) x 408 mm (D)
Weight (Dry)	67 kgs

Compressor Data

Type	TAJ4517Z
Swept Volume	4.52 m ³ /h
Oil Charge	0.48 litres
Nom. Current (A)	2.3
MCC (A)	4.0
LRC (A)	18.0

Fan Motors

No.	1
FLC (A)	0.6

Condenser Coil

Type	Microchannel
Volume	0.51 litres

Liquid Receiver

Volume	4.5 litres
--------	------------

Airflow

Volume	2700 m ³ /h
--------	------------------------

Applicable Refrigerants

R404A/R407A/R407F/R448A/R449A/R452A

Unit Connections

Liquid	3/8"
Suction	1/2"

Sound Pressure Level @ 10m (-10°C/+32°C)

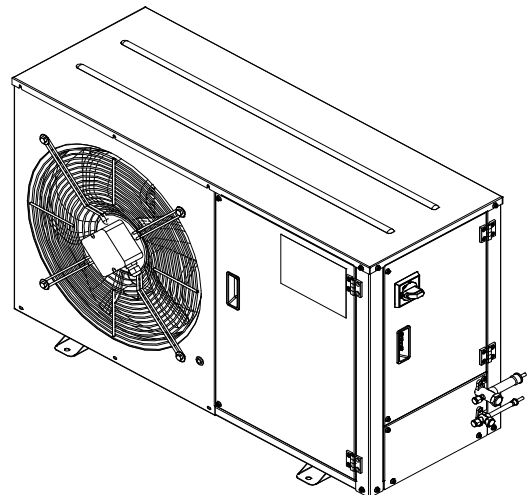
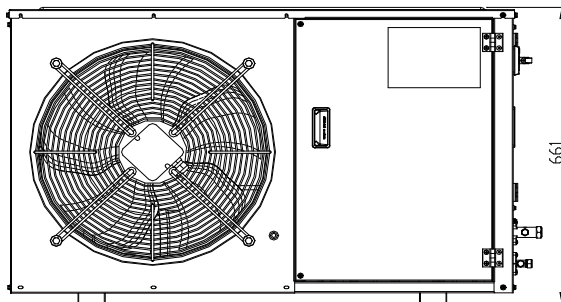
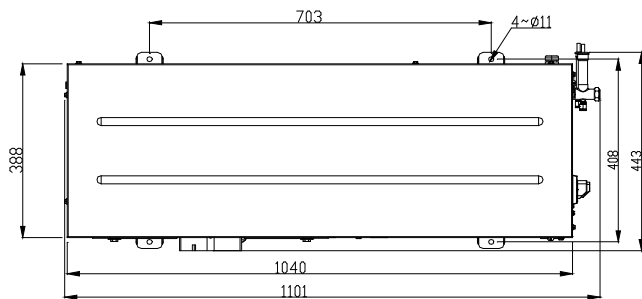
32 dB(A)

Performance Data at -10°C/+32°C Conditions

	Capacity (W) 10K SH	Capacity (W) 20°C RGT
R404A	2220	2457
R407A	1737	1924
R407F	1878	2080
R448A	2020	2152
R449A	2020	2152
R452A	1995	2195

1/1 Octave Sound Pressure Levels @ 1 meter from the unit

Frequency							
125 Hz	250 Hz	500 Hz	1 kHz	2 kHz	4 kHz	8 kHz	A (dBA)
52.0	53.3	52.9	44.8	38.0	29.9	25.6	51.7



Product Information based on the requirements of Commission Regulation EU 2015/1095

Model : JEHR-0140-B2-M-3

Refrigerant fluid:		R407A	R407F	R448A	R449A	R452A	Unit
Item	Symbol	Value					Unit
Evaporating temperature*	t	-10					°C
Parameters at full load and ambient temperature 32 °C							
Rated cooling capacity	P_A	1.92	2.08	2.15	2.15	2.20	kW
Rated power input	D_A	1.16	1.12	1.08	1.08	1.20	kW
Rated COP	COP_A	1.66	1.85	2.00	2.00	1.83	
Parameters at full load and ambient temperature 25 °C							
Cooling capacity	P_2	1.95	2.16	2.37	2.37	2.42	kW
Power input	D_2	1.10	1.02	1.02	1.02	1.16	kW
COP	COP_2	1.78	2.11	2.32	2.32	2.09	
Parameters at full load and ambient temperature 43 °C							
Cooling capacity	P_3	1.78	1.84	1.77	1.77	1.81	kW
Power input	D_3	1.21	1.23	1.16	1.16	1.26	kW
COP	COP_3	1.47	1.49	1.53	1.53	1.44	
Other items							
Capacity control	Fixed						
Coefficient of degradation for fixed and staged capacity units*	Cd	0.25					
Contact details	Daikin Refrigeration Malaysia Sdn. Bhd. Lot 10, Jalan Perusahaan 8, Kawasan Perusahaan Pekan Banting, 42700 Banting, Selangor Darul Ehsan.						

Note: Published data based on condition - Return Gas Temperature 20° C



6RC0140EM-FBBA-55