

### Condensing Unit Details

Model	JEHR-0140-H2-M-1
Application	Medium Temperature

### Electrical Supply

230V / 1Ph / 50Hz

### Weights & Dimensions

Width	1101 mm
Depth	444 mm
Height	662 mm
Mounting Dims.	703 mm (W) x 408 mm (D)
Weight (Dry)	67 kgs

### Compressor Data

Type	AJ4517P-FZ3A
Swept Volume	4.52 m <sup>3</sup> /h
Oil Charge	0.48 litres
Nom. Current (A)	4.6
MCC (A)	11.2
LRC (A)	42.2

### Fan Motors

No.	1
FLC (A)	0.6

### Condenser Coil

Type	Microchannel
Volume	0.51 litres

### Liquid Receiver

Volume	4.5 litres
PED Cat.	I (A1) / II (A2L)

### Airflow

Volume	2700 m <sup>3</sup> /h
--------	------------------------

### Applicable Refrigerants

R448A/R449A/R452A/R454C/R455A

### Unit Connections

Liquid	3/8"
Suction	1/2"

### Sound Pressure Level @ 10m (-10°C/+32°C)

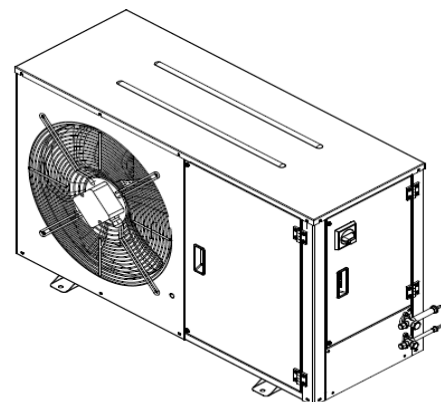
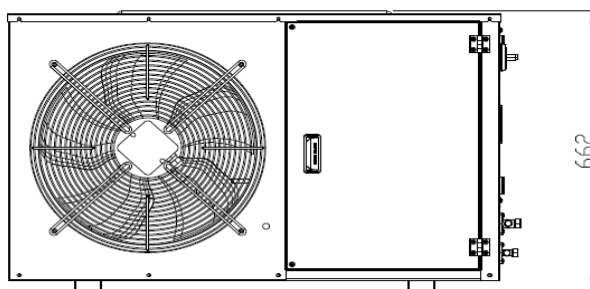
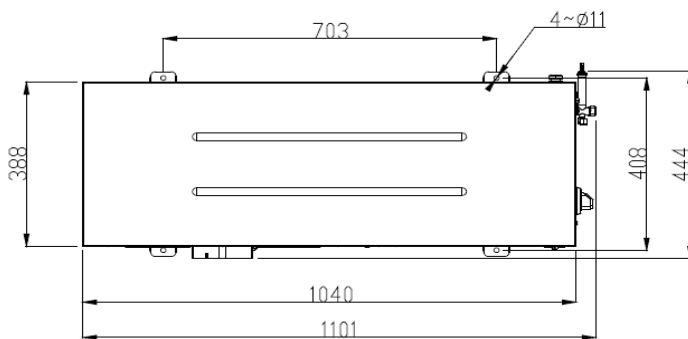
32 dB(A)

### Performance Data at -10°C/+32°C Conditions

	Capacity (W) 10K SH		Capacity (W) 20°C RGT	
	Dew	Mid	Dew	Mid
R448A	2016	2168	2149	2300
R449A	2016	2168	2149	2300
R452A	1995	2080	2196	2285
R454C	1532	1690	1668	1827
R455A	1681	1999	1817	2135

1/1 Octave Sound Pressure Levels @ 1 meter from the unit

Frequency							
125 Hz	250 Hz	500 Hz	1 kHz	2 kHz	4 kHz	8 kHz	A (dBA)
52.0	53.3	52.9	44.8	38.0	29.9	25.6	51.7



## Ecodesign 2018 Condensing Unit Information

Model: JEHR-0140-H2-M-1

Refrigerant fluid:		R448A	R449A	R452A	R455A	R454C	
Item	Symbol	Value					Unit
Evaporating temperature*	$t$	-10					°C
<b>Parameters at full load and ambient temperature 32°C</b>							
Rated cooling capacity	$P_A$	2.39	2.39	2.44	2.31	2.01	kW
Rated power input	$D_A$	1.11	1.11	1.20	1.13	1.05	kW
Rated COP	$COP_A$	2.16	2.16	2.04	2.05	1.92	
<b>Parameters at full load and ambient temperature 25°C</b>							
Cooling capacity	$P_2$	2.60	2.60	2.65	2.63	2.27	kW
Power input	$D_2$	1.05	1.05	1.15	1.07	1.00	kW
COP	$COP_2$	2.48	2.48	2.30	2.46	2.28	
<b>Parameters at full load and ambient temperature 43°C</b>							
Cooling capacity	$P_3$	2.00	2.00	2.05	1.82	1.59	kW
Power input	$D_3$	1.19	1.19	1.26	1.19	1.10	kW
COP	$COP_3$	1.68	1.68	1.63	1.53	1.44	
<b>Other items</b>							
Capacity control	Fixed						
Coefficient of degradation for fixed and staged capacity units*	$C_d$	0.25					
Contact details	Daikin Refrigeration Malaysia Sdn. Bhd. Lot 10, Jalan Perusahaan 8, Kawasan Perusahaan Pekan Banting, 42700 Banting, Selangor Darul Ehsan.						

Note: Published data based on mid point condition - Return Gas Temperature 20°C

RJ0110030015383

6RC0140HM-ABBA-55