

Condensing Unit Details

Model	JEHR-0140-H2-M-3
Application	Medium Temperature

Electrical Supply

400V / 3Ph / 50Hz

Weights & Dimensions

Width	1101 mm
Depth	444 mm
Height	662 mm
Mounting Dims.	703 mm (W) x 408 mm (D)
Weight (Dry)	67 kgs

Compressor Data

Type	AJ4517P-TZ1A
Swept Volume	4.52 m ³ /h
Oil Charge	0.48 litres
Nom. Current (A)	2.8
MCC (A)	4.2
LRC (A)	18.0

Fan Motors

No.	1
FLC (A)	0.6

Condenser Coil

Type	Microchannel
Volume	0.51 litres

Liquid Receiver

Volume	4.5 litres
PED Cat.	I (A1) / II (A2L)

Airflow

Volume	2700 m ³ /h
--------	------------------------

Applicable Refrigerants

R448A/R449A/R452A/R454C/R455A

Unit Connections

Liquid	3/8"
Suction	1/2"

Sound Pressure Level @ 10m (-10°C/+32°C)

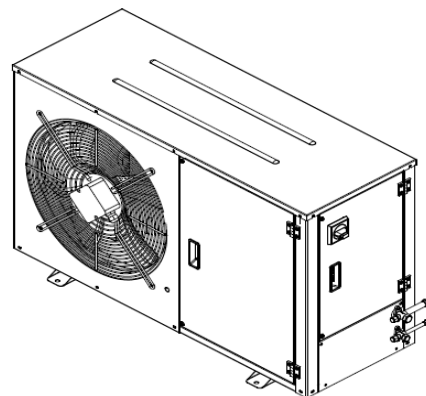
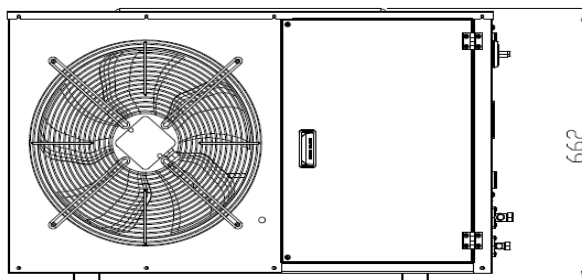
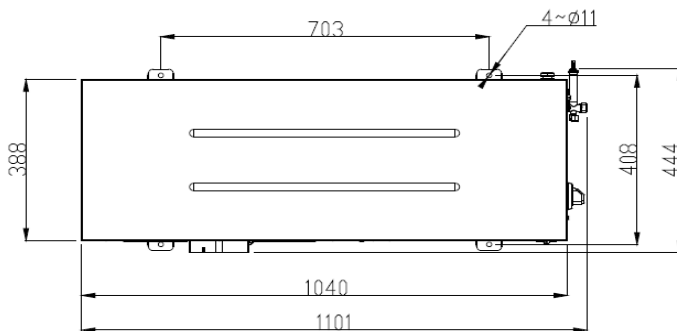
32 dB(A)

Performance Data at -10°C/+32°C Conditions

	Capacity (W) 10K SH		Capacity (W) 20°C RGT	
	Dew	Mid	Dew	Mid
R448A	2020	2193	2152	2329
R449A	2020	2193	2152	2329
R452A	1995	2084	2195	2289
R454C	1610	1761	1757	1910
R455A	1777	2086	1910	2217

1/1 Octave Sound Pressure Levels @ 1 meter from the unit

Frequency							
125 Hz	250 Hz	500 Hz	1 kHz	2 kHz	4 kHz	8 kHz	A (dBA)
52.0	53.3	52.9	44.8	38.0	29.9	25.6	51.7



Ecodesign 2018 Condensing Unit Information

Model: JEHR-0140-H2-M-3

Refrigerant fluid:		R448A	R449A	R452A	R455A	R454C	
Item	Symbol	Value					Unit
Evaporating temperature*	t	-10					°C
Parameters at full load and ambient temperature 32°C							
Rated cooling capacity	P_A	2.47	2.47	2.51	2.40	2.08	kW
Rated power input	D_A	1.14	1.14	1.23	1.12	1.04	kW
Rated COP	COP_A	2.16	2.16	2.03	2.15	2.00	
Parameters at full load and ambient temperature 25°C							
Cooling capacity	P_2	2.71	2.71	2.75	2.70	2.34	kW
Power input	D_2	1.09	1.09	1.18	1.06	0.99	kW
COP	COP_2	2.49	2.49	2.33	2.54	2.36	
Parameters at full load and ambient temperature 43°C							
Cooling capacity	P_3	2.04	2.04	2.08	1.91	1.68	kW
Power input	D_3	1.24	1.24	1.31	1.18	1.11	kW
COP	COP_3	1.65	1.65	1.59	1.63	1.51	
Other items							
Capacity control	Fixed						
Coefficient of degradation for fixed and staged capacity units*	C_d	0.25					
Contact details	Daikin Refrigeration Malaysia Sdn. Bhd. Lot 10, Jalan Perusahaan 8, Kawasan Perusahaan Pekan Banting, 42700 Banting, Selangor Darul Ehsan.						

Note: Published data based on mid point condition - Return Gas Temperature 20°C

RJ0110030015384

6RC0140HM-FBBA-55