

CONDENSING UNIT SPECIFICATION SHEET

Condensing Unit Details

Model	JEHR-0150-B2-M-1
Application	Medium Temperature

Electrical Supply

230V / 1Ph / 50Hz

Weights & Dimensions

Width	1101 mm
Depth	444 mm
Height	662 mm
Mounting Dims.	703 mm (W) x 408 mm (D)
Weight (Dry)	68 kgs

Compressor Data

Type	MTZ18-5VM
Swept Volume	5.26 m ³ /h
Oil Charge	0.95 litres
Nom. Current (A)	6.5
MCC (A)	10.0
LRC (A)	40.0

Fan Motors

No.	1
FLC (A)	0.6

Condenser Coil

Type	Microchannel
Volume	0.51 litres

Liquid Receiver

Volume	4.5 litres
--------	------------

Airflow

Volume	2700 m ³ /h
--------	------------------------

Applicable Refrigerants

R134a/R404A/R407A/R407F/R448A/R449A/R452A

Unit Connections

Liquid	3/8"
Suction	5/8"

Sound Pressure Level @ 10m (-10°C/+32°C)

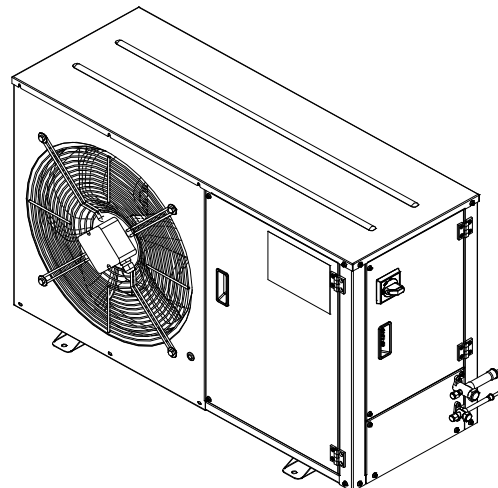
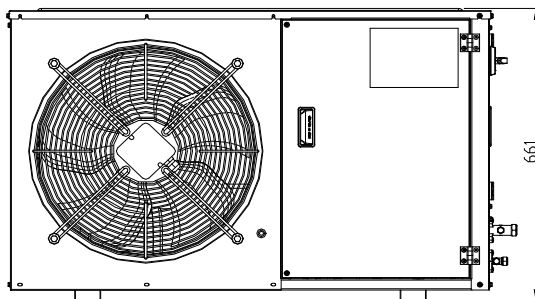
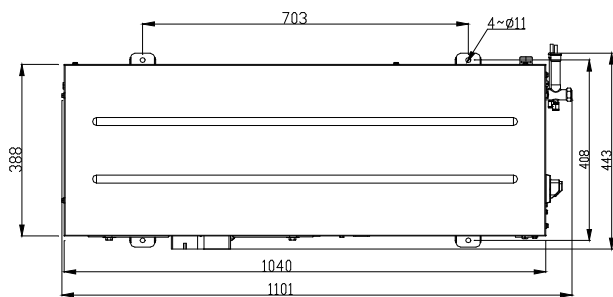
37 dB(A)

Performance Data at -10°C/+32°C Conditions

	Capacity (W) 10K SH	Capacity (W) 20°C RGT
R134a	1265	1299
R404A	2274	2397
R407A	2035	2070
R407F	2158	2173
R448A	2273	2313
R449A	2273	2313
R452A	2238	2355

1/1 Octave Sound Pressure Levels @ 1 meter from the unit

Frequency							
125 Hz	250 Hz	500 Hz	1 kHz	2 kHz	4 kHz	8 kHz	A (dBA)
57.9	60.0	57.7	49.0	43.8	33.8	32.0	56.9



Product Information based on the requirements of Commission Regulation EU 2015/1095

Model : JEHR-0150-B2-M-1

Refrigerant fluid:		R404A	R407A	R407F	R448A	R449A	R452A	R134a	
Item	Symbol	Value							Unit
Evaporating temperature*	t	-10							°C
Parameters at full load and ambient temperature 32 °C									
Rated cooling capacity	P_A	2.40	2.07	2.17	2.31	2.31	2.36	1.30	kW
Rated power input	D_A	1.28	1.15	1.21	1.18	1.18	1.22	0.81	kW
Rated COP	COP_A	1.88	1.80	1.80	1.97	1.97	1.93	1.61	
Parameters at full load and ambient temperature 25 °C									
Cooling capacity	P_2	2.62	2.27	2.45	2.55	2.55	2.60	N/A	kW
Power input	D_2	1.25	1.12	1.17	1.15	1.15	1.18	N/A	kW
COP	COP_2	2.10	2.02	2.09	2.23	2.23	2.20	N/A	
Parameters at full load and ambient temperature 43 °C									
Cooling capacity	P_3	1.92	1.72	1.77	1.86	1.86	1.92	1.02	kW
Power input	D_3	1.34	1.19	1.27	1.20	1.20	1.26	0.85	kW
COP	COP_3	1.43	1.44	1.40	1.55	1.55	1.52	1.20	
Other items									
Capacity control		Fixed							
Coefficient of degradation for fixed and staged capacity units*	Cd	0.25							
Contact details	Daikin Refrigeration Malaysia Sdn. Bhd. Lot 10, Jalan Perusahaan 8, Kawasan Perusahaan Pekan Banting, 42700 Banting, Selangor Darul Ehsan.								

Note: Published data based on condition - Return Gas Temperature 20° C



6RC0150EM-ABBA-55