

CONDENSING UNIT SPECIFICATION SHEET

Condensing Unit Details

Model JEHR-0150-B2-M-3
 Application Medium Temperature

Condenser Coil

Type Microchannel
 Volume 0.51 litres

Electrical Supply

400V / 3Ph / 50Hz

Liquid Receiver

Volume 4.5 litres

Weights & Dimensions

Width 1101 mm
 Depth 444 mm
 Height 662 mm
 Mounting Dims. 703 mm (W) x 408 mm (D)
 Weight (Dry) 68 kgs

Airflow

Volume 2700 m³/h

Applicable Refrigerants

R134a/R404A/R407A/R407F/R448A/R449A/R452A

Unit Connections

Liquid 3/8"
 Suction 5/8"

Compressor Data

Type MTZ18-4VM
 Swept Volume 5.26 m³/h
 Oil Charge 0.95 litres
 Nom. Current (A) 2.6
 MCC (A) 5.0
 LRC (A) 20.0

Sound Pressure Level @ 10m (-10°C/+32°C)

37 dB(A)

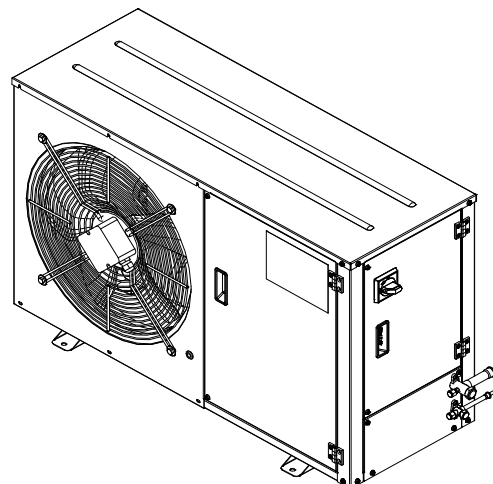
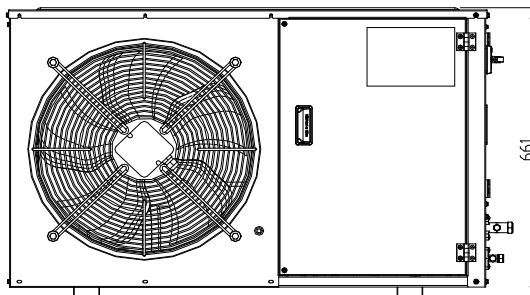
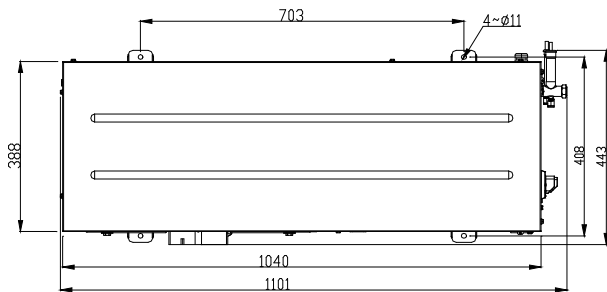
Fan Motors

No. 1
 FLC (A) 0.6

Performance Data at -10°C/+32°C Conditions

	Capacity (W) 10K SH	Capacity (W) 20°C RGT
R134a	1320	1368
R404A	2312	2433
R407A	2035	2070
R407F	2158	2173
R448A	2138	2175
R449A	2138	2175
R452A	2209	2324

1/1 Octave Sound Pressure Levels @ 1 meter from the unit							
Frequency							
125 Hz	250 Hz	500 Hz	1 kHz	2 kHz	4 kHz	8 kHz	A (dBA)
57.9	60.0	57.7	49.0	43.8	33.8	32.0	56.9



Product Information based on the requirements of Commission Regulation EU 2015/1095

Model : JEHR-0150-B2-M-3

Refrigerant fluid:		R404A	R407A	R407F	R448A	R449A	R452A	R134a	
Item	Symbol	Value							Unit
Evaporating temperature*	t	-10							°C
Parameters at full load and ambient temperature 32 °C									
Rated cooling capacity	P_A	2.43	2.07	2.17	2.18	2.18	2.32	1.37	kW
Rated power input	D_A	1.28	1.11	1.17	1.12	1.12	1.24	0.77	kW
Rated COP	COP_A	1.91	1.86	1.86	1.95	1.95	1.87	1.77	
Parameters at full load and ambient temperature 25 °C									
Cooling capacity	P_2	2.62	2.27	2.45	2.44	2.44	2.58	N/A	kW
Power input	D_2	1.25	1.08	1.13	1.08	1.08	1.20	N/A	kW
COP	COP_2	2.10	2.10	2.17	2.27	2.27	2.15	N/A	
Parameters at full load and ambient temperature 43 °C									
Cooling capacity	P_3	1.94	1.72	1.77	1.74	1.74	1.89	1.09	kW
Power input	D_3	1.34	1.15	1.23	1.17	1.17	1.29	0.82	kW
COP	COP_3	1.44	1.49	1.45	1.49	1.49	1.46	1.34	
Other items									
Capacity control		Fixed							
Coefficient of degradation for fixed and staged capacity units*	Cd	0.25							
Contact details	Daikin Refrigeration Malaysia Sdn. Bhd. Lot 10, Jalan Perusahaan 8, Kawasan Perusahaan Pekan Banting, 42700 Banting, Selangor Darul Ehsan.								

Note: Published data based on condition - Return Gas Temperature 20° C



6RC0150EM-FBBA-55