

CONDENSING UNIT SPECIFICATION SHEET

Condensing Unit Details

Model	JEHR-0170-B2-M-1
Application	Medium Temperature

Electrical Supply

230V / 1Ph / 50Hz

Weights & Dimensions

Width	1101 mm
Depth	444 mm
Height	662 mm
Mounting Dims.	703 mm (W) x 408 mm (D)
Weight (Dry)	68 kgs

Compressor Data

Type	CAJ4519Z
Swept Volume	6.00 m ³ /h
Oil Charge	0.48 litres
Nom. Current (A)	6.4
MCC (A)	15.2
LRC (A)	45.0

Fan Motors

No.	1
FLC (A)	0.6

Condenser Coil

Type	Microchannel
Volume	0.51 litres

Liquid Receiver

Volume	4.5 litres
--------	------------

Airflow

Volume	2700 m ³ /h
--------	------------------------

Applicable Refrigerants

R448A/R449A/R452A

Unit Connections

Liquid	3/8"
Suction	5/8"

Sound Pressure Level @ 10m (-10°C/+32°C)

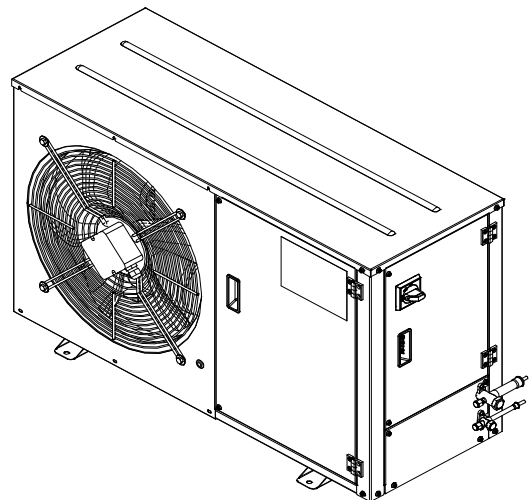
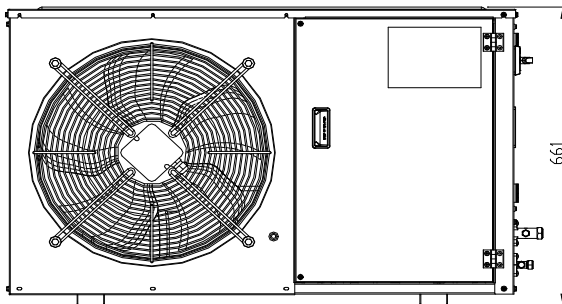
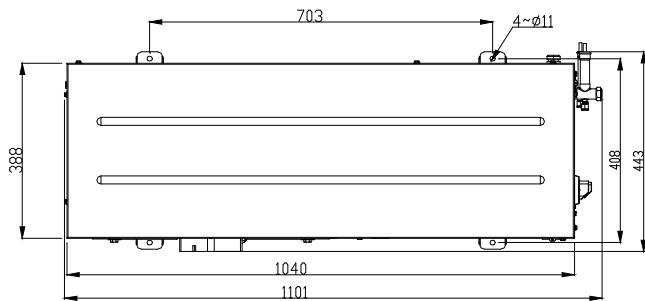
33 dB(A)

Performance Data at -10°C/+32°C Conditions

	Capacity (W) 10K SH	Capacity (W) 20°C RGT
R448A	2399	2574
R449A	2399	2574
R452A	2417	2685

1/1 Octave Sound Pressure Levels @ 1 meter from the unit

Frequency							
125 Hz	250 Hz	500 Hz	1 kHz	2 kHz	4 kHz	8 kHz	A (dBA)
54.3	56.2	50.6	47.2	41.2	35.1	28.4	52.9



Product Information based on the requirements of Commission Regulation EU 2015/1095

Model : JEHR-0170-B2-M-1

Refrigerant fluid:		R448A	R449A	R452A	
Item	Symbol	Value			Unit
Evaporating temperature*	t	-10			°C
Parameters at full load and ambient temperature 32 °C					
Rated cooling capacity	P_A	2.57	2.57	2.69	kW
Rated power input	D_A	1.49	1.49	1.63	kW
Rated COP	COP_A	1.73	1.73	1.65	
Parameters at full load and ambient temperature 25 °C					
Cooling capacity	P_2	2.79	2.79	2.94	kW
Power input	D_2	1.45	1.45	1.58	kW
COP	COP_2	1.93	1.93	1.85	
Parameters at full load and ambient temperature 43 °C					
Cooling capacity	P_3	2.23	2.23	2.28	kW
Power input	D_3	1.57	1.57	1.69	kW
COP	COP_3	1.42	1.42	1.35	
Other items					
Capacity control	Fixed				
Coefficient of degradation for fixed and staged capacity units*	C_d	0.25			
Contact details	Daikin Refrigeration Malaysia Sdn. Bhd. Lot 10, Jalan Perusahaan 8, Kawasan Perusahaan Pekan Banting, 42700 Banting, Selangor Darul Ehsan.				

Note: Published data based on condition - Return Gas Temperature 20° C



6RC0170EM-ABBA-55