

CONDENSING UNIT SPECIFICATION SHEET

Condensing Unit Details

Model JEHR-0170-B2-M-3
Application Medium Temperature

Electrical Supply

400V / 3Ph / 50Hz

Weights & Dimensions

Width 1101 mm
Depth 444 mm
Height 662 mm
Mounting Dims. 703 mm (W) x 408 mm (D)
Weight (Dry) 68 kgs

Compressor Data

Type TAJ4519Z
Swept Volume 6.00 m³/h
Oil Charge 0.48 litres
Nom. Current (A) 3.1
MCC (A) 4.8
LRC (A) 22.0

Fan Motors

No. 1
FLC (A) 0.6

Condenser Coil

Type Microchannel
Volume 0.51 litres

Liquid Receiver

Volume 4.5 litres

Airflow

Volume 2700 m³/h

Applicable Refrigerants

R448A/R449A/R452A

Unit Connections

Liquid 3/8"
Suction 5/8"

Sound Pressure Level @ 10m (-10°C/+32°C)

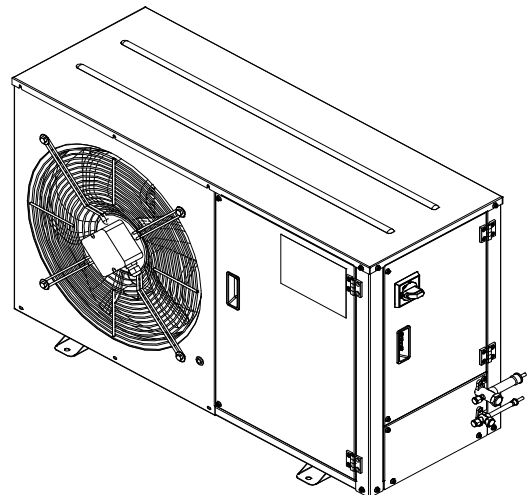
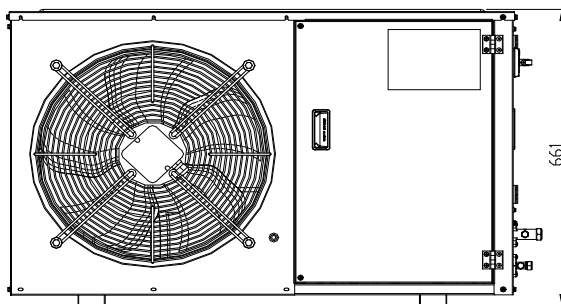
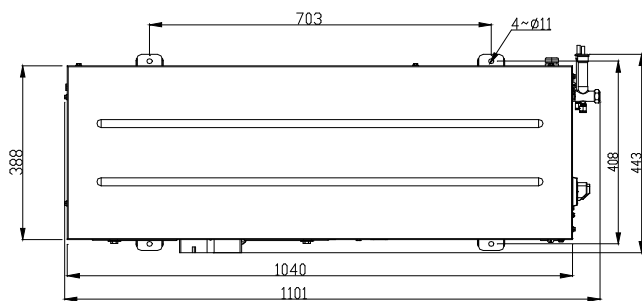
33 dB(A)

Performance Data at -10°C/+32°C Conditions

	Capacity (W) 10K SH	Capacity (W) 20°C RGT
R448A	2399	2572
R449A	2399	2572
R452A	2423	2688

1/1 Octave Sound Pressure Levels @ 1 meter from the unit

Frequency							
125 Hz	250 Hz	500 Hz	1 kHz	2 kHz	4 kHz	8 kHz	A (dBA)
54.3	56.2	50.6	47.2	41.2	35.1	28.4	52.9



Product Information based on the requirements of Commission Regulation EU 2015/1095

Model : JEHR-0170-B2-M-3

Refrigerant fluid:		R448A	R449A	R452A	
Item	Symbol	Value			Unit
Evaporating temperature*	t	-10			°C
Parameters at full load and ambient temperature 32 °C					
Rated cooling capacity	P_A	2.57	2.57	2.69	kW
Rated power input	D_A	1.46	1.46	1.55	kW
Rated COP	COP_A	1.76	1.76	1.73	
Parameters at full load and ambient temperature 25 °C					
Cooling capacity	P_2	2.82	2.82	2.98	kW
Power input	D_2	1.40	1.40	1.50	kW
COP	COP_2	2.01	2.01	1.99	
Parameters at full load and ambient temperature 43 °C					
Cooling capacity	P_3	2.20	2.20	2.26	kW
Power input	D_3	1.54	1.54	1.62	kW
COP	COP_3	1.43	1.43	1.39	
Other items					
Capacity control	Fixed				
Coefficient of degradation for fixed and staged capacity units*	Cd	0.25			
Contact details	Daikin Refrigeration Malaysia Sdn. Bhd. Lot 10, Jalan Perusahaan 8, Kawasan Perusahaan Pekan Banting, 42700 Banting, Selangor Darul Ehsan.				

Note: Published data based on condition - Return Gas Temperature 20° C



6RC0170EM-FBBA-55