

Condensing Unit Details

Model	JEHR-0170-H2-M-1
Application	Medium Temperature

Electrical Supply

230V / 1Ph / 50Hz

Weights & Dimensions

Width	1101 mm
Depth	444 mm
Height	662 mm
Mounting Dims.	703 mm (W) x 408 mm (D)
Weight (Dry)	68 kg

Compressor Data

Type	AJ4519P-FZ3A
Swept Volume	6.00 m ³ /h
Oil Charge	0.48 litres
Nom. Current (A)	6.5
MCC (A)	16.3
LRC (A)	48.0

Fan Motors

No.	1
FLC (A)	0.6

Condenser Coil

Type	Microchannel
Volume	0.51 litres

Liquid Receiver

Volume	4.5 litres
PED Cat.	I (A1) / II (A2L)

Airflow

Volume	2700 m ³ /h
--------	------------------------

Applicable Refrigerants

R448A/R449A/R452A/R454C/R455A

Unit Connections

Liquid	3/8"
Suction	5/8"

Sound Pressure Level @ 10m (-10°C/+32°C)

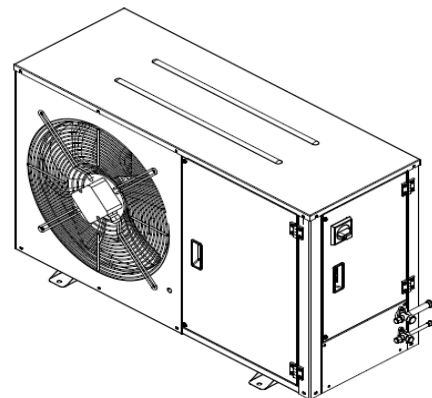
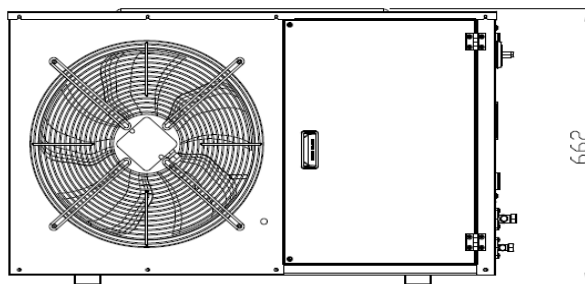
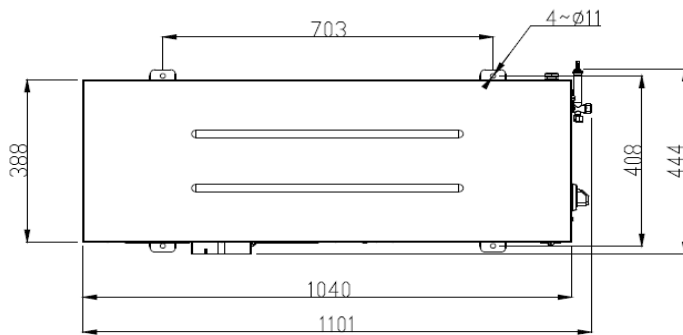
33 dB(A)

Performance Data at -10°C/+32°C Conditions

	Capacity (W) 10K SH		Capacity (W) 20°C RGT	
	Dew	Mid	Dew	Mid
R448A	2399	2607	2574	2783
R449A	2399	2607	2574	2783
R452A	2417	2537	2685	2806
R454C	1875	2053	2046	2226
R455A	2022	2380	2182	2540

1/1 Octave Sound Pressure Levels @ 1 meter from the unit

Frequency							
125 Hz	250 Hz	500 Hz	1 kHz	2 kHz	4 kHz	8 kHz	A (dBA)
54.3	56.2	50.6	47.2	41.2	35.1	28.4	52.9



Ecodesign 2018 Condensing Unit Information

Model: JEHR-0170-H2-M-1

Refrigerant fluid:		R448A	R449A	R452A	R455A	R454C	
Item	Symbol	Value					Unit
Evaporating temperature*	t	-10					°C
Parameters at full load and ambient temperature 32°C							
Rated cooling capacity	P_A	2.81	2.81	2.93	2.79	2.47	kW
Rated power input	D_A	1.48	1.48	1.57	1.41	1.34	kW
Rated COP	COP_A	1.91	1.91	1.87	1.98	1.84	
Parameters at full load and ambient temperature 25°C							
Cooling capacity	P_2	3.03	3.03	3.18	3.16	2.78	kW
Power input	D_2	1.43	1.43	1.52	1.37	1.29	kW
COP	COP_2	2.12	2.12	2.09	2.31	2.16	
Parameters at full load and ambient temperature 43°C							
Cooling capacity	P_3	2.46	2.46	2.51	2.21	1.97	kW
Power input	D_3	1.55	1.55	1.64	1.47	1.40	kW
COP	COP_3	1.59	1.59	1.54	1.51	1.40	
Other items							
Capacity control	Fixed						
Coefficient of degradation for fixed and staged capacity units*	C_d	0.25					
Contact details	Daikin Refrigeration Malaysia Sdn. Bhd. Lot 10, Jalan Perusahaan 8, Kawasan Perusahaan Pekan Banting, 42700 Banting, Selangor Darul Ehsan.						

Note: Published data based on mid point condition - Return Gas Temperature 20°C

RJ0110030015385

6RC0170HM-ABBA-55