

### Condensing Unit Details

Model JEHR-0175-B2-L-3  
 Application Low Temperature

### Electrical Supply

400V / 3Ph / 50Hz

### Weights & Dimensions

Width 1101 mm  
 Depth 444 mm  
 Height 662 mm  
 Mounting Dims. 703 mm (W) x 408 mm (D)  
 Weight (Dry) 72 kgs

### Compressor Data

Type NTZ048-4VM(B)  
 Swept Volume 8.40 m<sup>3</sup>/h  
 Oil Charge 0.95 litre  
 Nom. Current (A) 2.1  
 MCC (A) 4.8  
 LRC (A) 16.0

### Oil Separator

Oil Charge 0.50 litre

### Fan Motors

No. 1  
 FLC (A) 0.6

### Condenser Coil

Type Microchannel  
 Volume 0.51 litre

### Liquid Receiver

Volume 4.5 litres

### Airflow

Volume 2700 m<sup>3</sup>/h

### Applicable Refrigerants

R404A/R452A

### Unit Connections

Liquid 3/8"  
 Suction 5/8"

### Sound Pressure Level @ 10m (-25°C/+32°C)

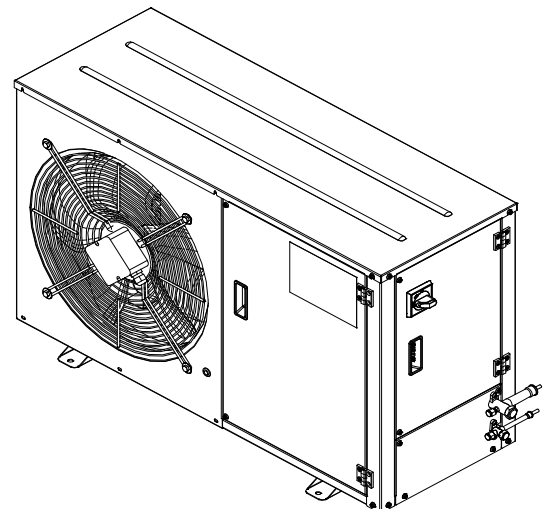
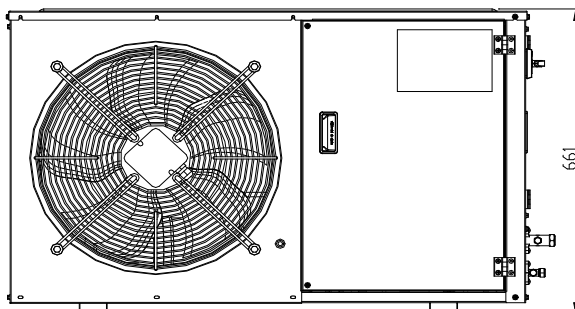
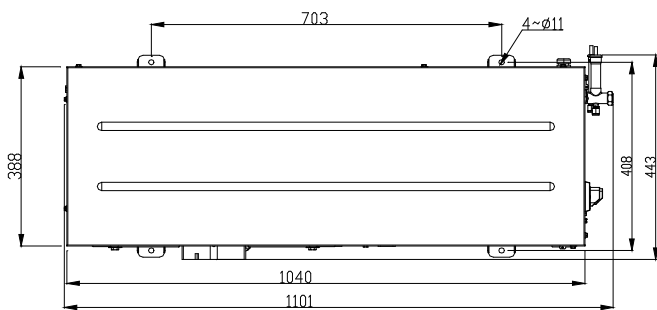
37 dB(A)

### Performance Data at -35°C/+32°C Conditions

|       | Capacity (W) 10K SH | Capacity (W) 20°C RGT |
|-------|---------------------|-----------------------|
| R404A | 989                 | 1121                  |
| R452A | 919                 | 1032                  |

1/1 Octave Sound Pressure Levels @ 1 meter from the unit

| Frequency |        |        |       |       |       |       |         |
|-----------|--------|--------|-------|-------|-------|-------|---------|
| 125 Hz    | 250 Hz | 500 Hz | 1 kHz | 2 kHz | 4 kHz | 8 kHz | A (dBA) |
| 52.4      | 54.7   | 55.4   | 49.9  | 48.7  | 42.7  | 33.9  | 56.6    |



# Product Information based on the requirements of Commission Regulation EU 2015/1095

Model : JEHR-0175-B2-L-3

| Refrigerant fluid:  |  | R404A | R452A |      |
|---|--|-------|-------|------|
| Item  | Symbol   | Value |       | Unit |
| Evaporating temperature*  | $t$  | -35   |       | °C   |
| <b>Parameters at full load and ambient temperature 32 °C</b>    |  |       |       |      |
| Rated cooling capacity  | $P_A$  | 1.12  | 1.03  | kW   |
| Rated power input   | $D_A$  | 1.01  | 0.92  | kW   |
| Rated COP   | $COP_A$  | 1.11  | 1.12  |      |
| <b>Parameters at full load and ambient temperature 25 °C</b>    |  |       |       |      |
| Cooling capacity  | $P_2$  | 1.32  | 1.21  | kW   |
| Power input   | $D_2$  | 1.02  | 0.94  | kW   |
| COP   | $COP_2$  | 1.30  | 1.29  |      |
| <b>Parameters at full load and ambient temperature 43 °C</b>    |  |       |       |      |
| Cooling capacity  | $P_3$  | N/A   | N/A   | kW   |
| Power input   | $D_3$  | N/A   | N/A   | kW   |
| COP   | $COP_3$  | N/A   | N/A   |      |
| <b>Other items</b>  |  |       |       |      |
| Capacity control  |  | Fixed |       |      |
| Coefficient of degradation for fixed and staged capacity units* | $Cd$   | 0.25  |       |      |
| Contact details   | Daikin Refrigeration Malaysia Sdn. Bhd.<br>Lot 10, Jalan Perusahaan 8, Kawasan Perusahaan Pekan Banting,<br>42700 Banting, Selangor Darul Ehsan. |       |       |      |

Note: Published data based on condition - Return Gas Temperature 20° C



6RC0175EL-FBBA-55