

## CONDENSING UNIT SPECIFICATION SHEET

### Condensing Unit Details

Model JEHR-0180-B2-L-1  
Application Low Temperature

### Electrical Supply

230V / 1Ph / 50Hz

### Weights & Dimensions

Width 1101 mm  
Depth 444 mm  
Height 662 mm  
Mounting Dims. 703 mm (W) x 408 mm (D)  
Weight (Dry) 81 kgs

### Compressor Data

Type FH2480Z-XC3A  
Swept Volume 9.45 m<sup>3</sup>/h  
Oil Charge 1.14 litre  
Nom. Current (A) 6.1  
MCC (A) 12.0  
LRC (A) 65.0

### Oil Separator

Oil Charge 0.50 litre

### Fan Motors

No. 1  
FLC (A) 0.6

### Condenser Coil

Type Microchannel  
Volume 0.51 litre

### Liquid Receiver

Volume 4.5 litres

### Airflow

Volume 2700 m<sup>3</sup>/h

### Applicable Refrigerants

R448A/R449A/R452A

### Unit Connections

Liquid 3/8"  
Suction 5/8"

### Sound Pressure Level @ 10m (-25°C/+32°C)

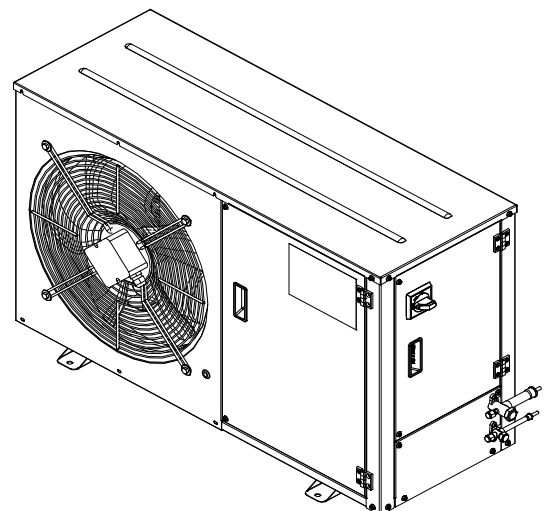
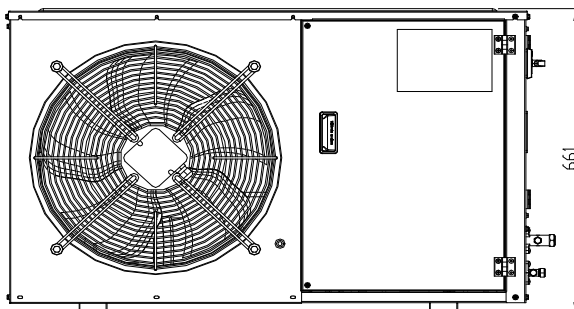
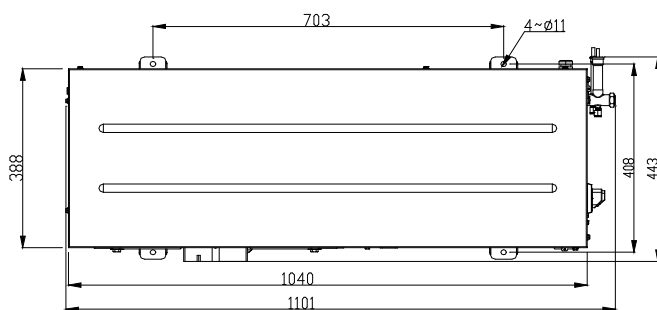
35 dB(A)

### Performance Data at -35°C/+32°C Conditions

	Capacity (W) 10K SH	Capacity (W) 20°C RGT
R448A	937	1082
R449A	937	1082
R452A	985	1223

### 1/1 Octave Sound Pressure Levels @ 1 meter from the unit

Frequency							
125 Hz	250 Hz	500 Hz	1 kHz	2 kHz	4 kHz	8 kHz	A (dBA)
53.9	57.0	55.0	49.7	44.4	36.3	30.6	55.4



# Product Information based on the requirements of Commission Regulation EU 2015/1095

Model : JEHR-0180-B2-L-1

Refrigerant fluid:		R448A	R449A	R452A	
Item	Symbol	Value			Unit
Evaporating temperature*	$t$	-35			°C
<b>Parameters at full load and ambient temperature 32° C</b>					
Rated cooling capacity	$P_A$	1.08	1.08	1.22	kW
Rated power input	$D_A$	1.13	1.13	1.21	kW
<b>Rated COP</b>	$COP_A$	0.96	0.96	1.01	
<b>Parameters at full load and ambient temperature 25° C</b>					
Cooling capacity	$P_2$	1.30	1.30	1.44	kW
Power input	$D_2$	1.15	1.15	1.24	kW
<b>COP</b>	$COP_2$	1.12	1.12	1.17	
<b>Parameters at full load and ambient temperature 43° C</b>					
Cooling capacity	$P_3$	N/A	N/A	N/A	kW
Power input	$D_3$	N/A	N/A	N/A	kW
<b>COP</b>	$COP_3$	N/A	N/A	N/A	
<b>Other items</b>					
Capacity control		Fixed			
Coefficient of degradation for fixed and staged capacity units*	$Cd$	0.25			
Contact details	Daikin Refrigeration Malaysia Sdn. Bhd. Lot 10, Jalan Perusahaan 8, Kawasan Perusahaan Pekan Banting, 42700 Banting, Selangor Darul Ehsan.				

Note: Published data based on condition - Return Gas Temperature 20° C



6RC0180EL-ABBA-55