

CONDENSING UNIT SPECIFICATION SHEET

Condensing Unit Details

Model JEHR-0180-H2-L-1
Application Low Temperature

Condenser Coil

Type Microchannel
Volume 0.51 litre

Electrical Supply

230V / 1Ph / 50Hz

Liquid Receiver

Volume 4.5 litres
PED Cat. I (A1) / II (A2L)

Weights & Dimensions

Width 1101 mm
Depth 444 mm
Height 662 mm
Mounting Dims. 703 mm (W) x 408 mm (D)
Weight (Dry) 81 kgs

Airflow

Volume 2700 m³/h

Applicable Refrigerants

R448A/R449A/R452A/R454C/R455A

Compressor Data

Type FH2480P-XC3A
Swept Volume 9.45 m³/h
Oil Charge 1.14 litre
Nom. Current (A) 3.8
MCC (A) 17.5
LRC (A) 61.0

Unit Connections

Liquid 3/8"
Suction 5/8"

Sound Pressure Level @ 10m (-25°C/+32°C)

35 dB(A)

Oil Separator

Oil Charge 0.50 litre

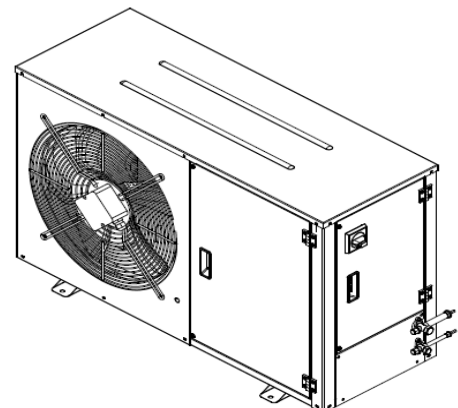
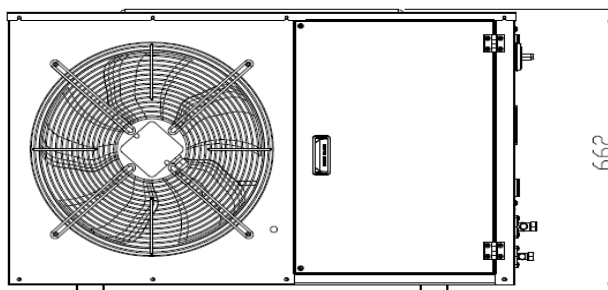
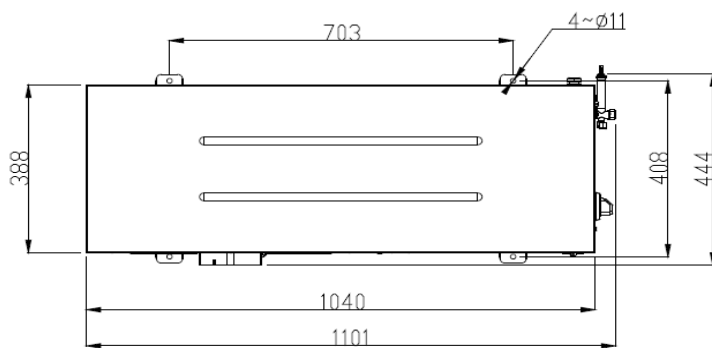
Performance Data at -35°C/+32°C Conditions

	Capacity (W) 10K SH		Capacity (W) 20°C RGT	
	Dew	Mid	Dew	Mid
R448A	937	1055	1082	1215
R449A	937	1055	1082	1215
R452A	985	1039	1223	1293
R454C	547	663	654	791
R455A	646	877	793	1058

Fan Motors

No. 1
FLC (A) 0.6

1/1 Octave Sound Pressure Levels @ 1 meter from the unit							
Frequency							
125 Hz	250 Hz	500 Hz	1 kHz	2 kHz	4 kHz	8 kHz	A (dBA)
54.3	56.6	54.8	50.1	44.5	36.8	27.5	55.4



Ecodesign 2018 Condensing Unit Information

Model: JEHR-0180-H2-L-1

Refrigerant fluid:		R448A	R449A	R452A	R455A	R454C	
Item	Symbol	Value					Unit
Evaporating temperature*	t	-35					°C
Parameters at full load and ambient temperature 32°C							
Rated cooling capacity	P_A	1.34	1.34	1.50	1.17	0.95	kW
Rated power input	D_A	1.23	1.23	1.32	1.10	0.95	kW
Rated COP	COP_A	1.09	1.09	1.14	1.06	0.99	
Parameters at full load and ambient temperature 25°C							
Cooling capacity	P_2	1.57	1.57	1.74	1.41	1.15	kW
Power input	D_2	1.24	1.24	1.33	1.12	0.98	kW
COP	COP_2	1.27	1.27	1.31	1.25	1.17	
Parameters at full load and ambient temperature 43°C							
Cooling capacity	P_3	N/A	N/A	1.13	0.80	0.62	kW
Power input	D_3	N/A	N/A	1.27	1.01	0.86	kW
COP	COP_3	N/A	N/A	0.89	0.79	0.72	
Other items							
Capacity control	Fixed						
Coefficient of degradation for fixed and staged capacity units*	C_d	0.25					
Contact details	Daikin Refrigeration Malaysia Sdn. Bhd. Lot 10, Jalan Perusahaan 8, Kawasan Perusahaan Pekan Banting, 42700 Banting, Selangor Darul Ehsan.						

Note: Published data based on mid point condition - Return Gas Temperature 20°C

RJ0110030015387

6RC0180HL-ABBA-55