

## CONDENSING UNIT SPECIFICATION SHEET

### Condensing Unit Details

Model JEHR-0180-H2-L-3  
Application Low Temperature

### Condenser Coil

Type Microchannel  
Volume 0.51 litre

### Electrical Supply

400V / 3Ph / 50Hz

### Liquid Receiver

Volume 4.5 litres  
PED Cat. I (A1) / II (A2L)

### Weights & Dimensions

Width 1101 mm  
Depth 444 mm  
Height 662 mm  
Mounting Dims. 703 mm (W) x 408 mm (D)  
Weight (Dry) 80 kgs

### Airflow

Volume 2700 m<sup>3</sup>/h

### Applicable Refrigerants

R448A/R449A/R452A/R454C/R455A

### Compressor Data

Type FH2480P-XG1A  
Swept Volume 9.45 m<sup>3</sup>/h  
Oil Charge 1.14 litre  
Nom. Current (A) 2.1  
MCC (A) 6.5  
LRC (A) 31.0

### Unit Connections

Liquid 3/8"  
Suction 5/8"

### Sound Pressure Level @ 10m (-25°C/+32°C)

35 dB(A)

### Performance Data at -35°C/+32°C Conditions

	Capacity (W) 10K SH		Capacity (W) 20°C RGT	
	Dew	Mid	Dew	Mid
R448A	846	955	979	1101
R449A	846	955	979	1101
R452A	912	962	1133	1197
R454C	589	690	707	825
R455A	696	895	855	1082

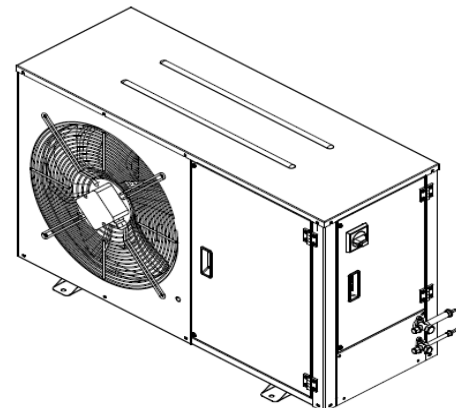
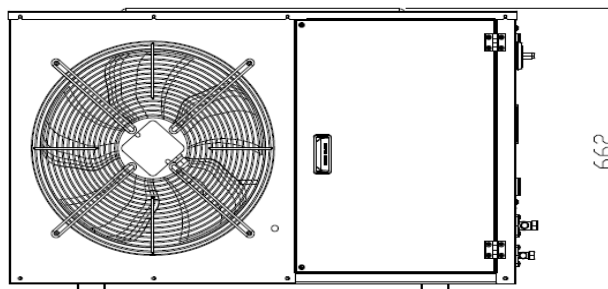
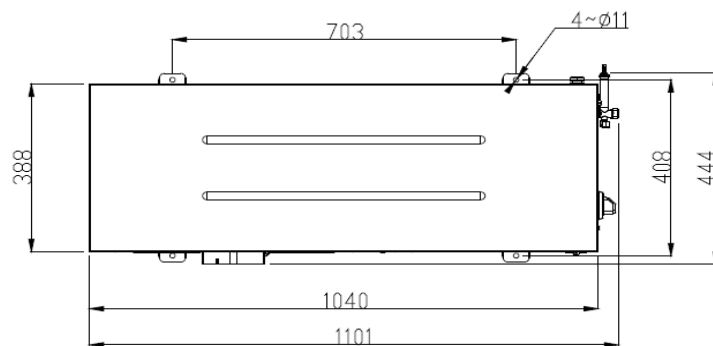
### Oil Separator

Oil Charge 0.50 litre

### Fan Motors

No. 1  
FLC (A) 0.6

1/1 Octave Sound Pressure Levels @ 1 meter from the unit							
Frequency							
125 Hz	250 Hz	500 Hz	1 kHz	2 kHz	4 kHz	8 kHz	A (dBA)
54.3	56.6	54.8	50.1	44.5	36.8	27.5	55.4



## Ecodesign 2018 Condensing Unit Information

Model: JEHR-0180-H2-L-3

Refrigerant fluid:		R448A	R449A	R452A	R455A	R454C	
Item	Symbol	Value					Unit
Evaporating temperature*	$t$	-35					°C
<b>Parameters at full load and ambient temperature 32°C</b>							
Rated cooling capacity	$P_A$	1.22	1.22	1.39	1.18	0.96	kW
Rated power input	$D_A$	1.07	1.07	1.15	1.04	0.90	kW
Rated COP	$COP_A$	1.14	1.14	1.22	1.13	1.07	
<b>Parameters at full load and ambient temperature 25°C</b>							
Cooling capacity	$P_2$	1.41	1.41	1.63	1.40	1.15	kW
Power input	$D_2$	1.08	1.08	1.15	1.06	0.93	kW
COP	$COP_2$	1.31	1.31	1.41	1.31	1.24	
<b>Parameters at full load and ambient temperature 43°C</b>							
Cooling capacity	$P_3$	N/A	N/A	1.02	0.86	0.68	kW
Power input	$D_3$	N/A	N/A	1.10	0.98	0.84	kW
COP	$COP_3$	N/A	N/A	0.93	0.87	0.81	
<b>Other items</b>							
Capacity control	Fixed						
Coefficient of degradation for fixed and staged capacity units*	$C_d$	0.25					
Contact details	Daikin Refrigeration Malaysia Sdn. Bhd. Lot 10, Jalan Perusahaan 8, Kawasan Perusahaan Pekan Banting, 42700 Banting, Selangor Darul Ehsan.						

Note: Published data based on mid point condition - Return Gas Temperature 20°C

RJ0110030015388

6RC0180HL-FBBA-55