

Condensing Unit Details

Model JEHR-0210-B2-L-3
 Application Low Temperature

Electrical Supply

400V / 3Ph / 50Hz

Weights & Dimensions

Width 1101 mm
 Depth 444 mm
 Height 662 mm
 Mounting Dims. 703 mm (W) x 408 mm (D)
 Weight (Dry) 81 kgs

Compressor Data

Type FH2511-XG1A
 Swept Volume 11.83 m³/h
 Oil Charge 1.14 litre
 Nom. Current (A) 3.4
 MCC (A) 8.3
 LRC (A) 60.0

Oil Separator

Oil Charge 0.50 litre

Fan Motors

No. 1
 FLC (A) 0.6

Condenser Coil

Type Microchannel
 Volume 0.51 litre

Liquid Receiver

Volume 4.5 litres

Airflow

Volume 2700 m³/h

Applicable Refrigerants

R448A/R449A/R452A

Unit Connections

Liquid 3/8"
 Suction 5/8"

Sound Pressure Level @ 10m (-25°C/+32°C)

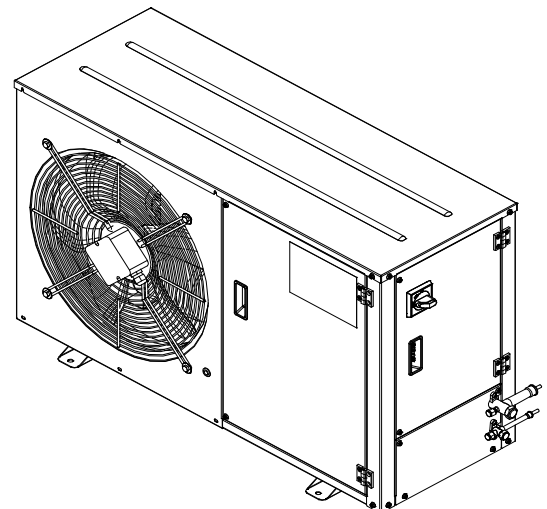
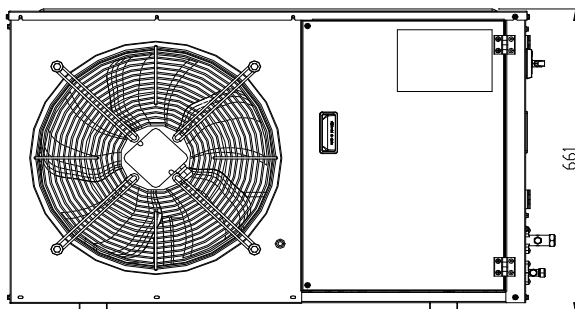
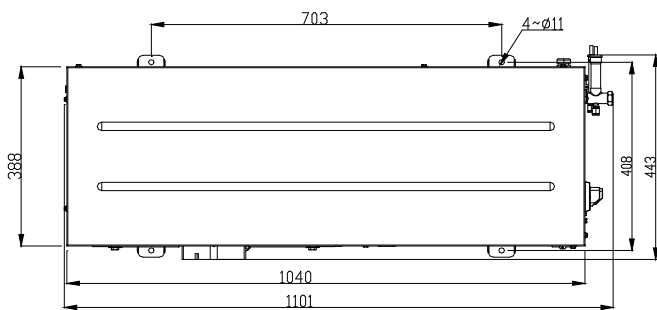
38 dB(A)

Performance Data at -35°C/+32°C Conditions

	Capacity (W) 10K SH	Capacity (W) 20°C RGT
R448A	1170	1356
R449A	1170	1356
R452A	1228	1532

1/1 Octave Sound Pressure Levels @ 1 meter from the unit

Frequency							
125 Hz	250 Hz	500 Hz	1 kHz	2 kHz	4 kHz	8 kHz	A (dBA)
54.4	62.2	56.3	50.1	46.9	39.3	36.6	57.5



Product Information based on the requirements of Commission Regulation EU 2015/1095

Model : JEHR-0210-B2-L-3

Refrigerant fluid:		R448A	R449A	R452A	
Item	Symbol	Value			Unit
Evaporating temperature*	t	-35			°C
Parameters at full load and ambient temperature 32 °C					
Rated cooling capacity	P_A	1.36	1.36	1.53	kW
Rated power input	D_A	1.36	1.36	1.47	kW
Rated COP	COP_A	1.00	1.00	1.05	
Parameters at full load and ambient temperature 25 °C					
Cooling capacity	P_2	1.51	1.51	1.88	kW
Power input	D_2	1.38	1.38	1.50	kW
COP	COP_2	1.09	1.09	1.25	
Parameters at full load and ambient temperature 43 °C					
Cooling capacity	P_3	N/A	N/A	N/A	kW
Power input	D_3	N/A	N/A	N/A	kW
COP	COP_3	N/A	N/A	N/A	
Other items					
Capacity control		Fixed			
Coefficient of degradation for fixed and staged capacity units*	Cd	0.25	0.25	0.25	
Contact details	Daikin Refrigeration Malaysia Sdn. Bhd. Lot 10, Jalan Perusahaan 8, Kawasan Perusahaan Pekan Banting, 42700 Banting, Selangor Darul Ehsan.				

Note: Published data based on condition - Return Gas Temperature 20° C



6RC0210EL-FBBA-55