

## CONDENSING UNIT SPECIFICATION SHEET

### Condensing Unit Details

Model JEHR-0210-H2-L-1  
Application Low Temperature

### Condenser Coil

Type Microchannel  
Volume 0.51 litre

### Electrical Supply

230V / 1Ph / 50Hz

### Liquid Receiver

Volume 4.5 litres  
PED Cat. I (A1) / II (A2L)

### Weights & Dimensions

Width 1101 mm  
Depth 444 mm  
Height 662 mm  
Mounting Dims. 703 mm (W) x 408 mm (D)  
Weight (Dry) 83 kgs

### Airflow

Volume 2700 m<sup>3</sup>/h

### Applicable Refrigerants

R448A/R449A/R452A/R454C/R455A

### Compressor Data

Type FH2511P-XC3A  
Swept Volume 11.83 m<sup>3</sup>/h  
Oil Charge 1.14 litre  
Nom. Current (A) 5.8  
MCC (A) 20.0  
LRC (A) 68.0

### Unit Connections

Liquid 3/8"  
Suction 5/8"

### Sound Pressure Level @ 10m (-25°C/+32°C)

38 dB(A)

### Oil Separator

Oil Charge 0.50 litre

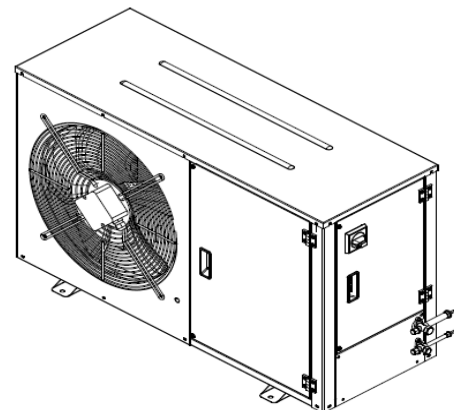
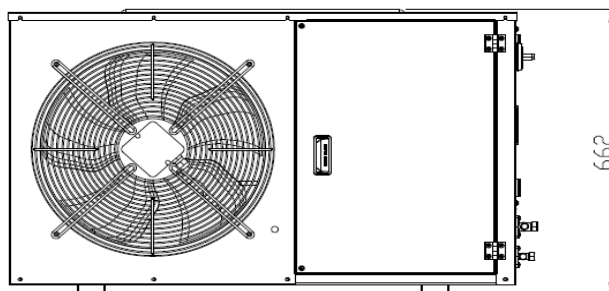
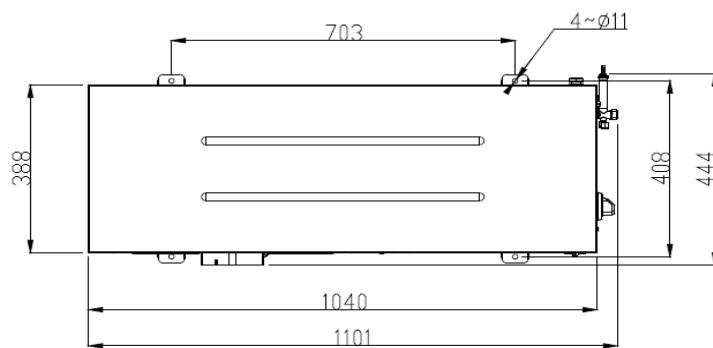
### Performance Data at -35°C/+32°C Conditions

	Capacity (W) 10K SH		Capacity (W) 20°C RGT	
	Dew	Mid	Dew	Mid
R448A	1221	1376	1420	1596
R449A	1221	1376	1420	1596
R452A	1279	1350	1604	1697
R454C	939	1088	1138	1312
R455A	1110	1400	1335	1663

### Fan Motors

No. 1  
FLC (A) 0.6

1/1 Octave Sound Pressure Levels @ 1 meter from the unit							
Frequency							
125 Hz	250 Hz	500 Hz	1 kHz	2 kHz	4 kHz	8 kHz	A (dBA)
54.4	62.2	56.3	50.1	46.9	39.3	36.6	57.5



## Ecodesign 2018 Condensing Unit Information

Model: JEHR-0210-H2-L-1

Refrigerant fluid:		R448A	R449A	R452A	R455A	R454C	
Item	Symbol	Value					Unit
Evaporating temperature*	$t$	-35					°C
<b>Parameters at full load and ambient temperature 32°C</b>							
Rated cooling capacity	$P_A$	1.78	1.78	1.99	1.82	1.50	kW
Rated power input	$D_A$	1.57	1.57	1.69	1.56	1.34	kW
Rated COP	$COP_A$	1.13	1.13	1.18	1.17	1.12	
<b>Parameters at full load and ambient temperature 25°C</b>							
Cooling capacity	$P_2$	1.96	1.96	2.41	2.12	1.76	kW
Power input	$D_2$	1.59	1.59	1.71	1.56	1.35	kW
COP	$COP_2$	1.23	1.23	1.40	1.36	1.30	
<b>Parameters at full load and ambient temperature 43°C</b>							
Cooling capacity	$P_3$	N/A	N/A	1.35	1.36	1.08	kW
Power input	$D_3$	N/A	N/A	1.58	1.52	1.29	kW
COP	$COP_3$	N/A	N/A	0.85	0.90	0.84	
<b>Other items</b>							
Capacity control	Fixed						
Coefficient of degradation for fixed and staged capacity units*	$C_d$	0.25					
Contact details	Daikin Refrigeration Malaysia Sdn. Bhd. Lot 10, Jalan Perusahaan 8, Kawasan Perusahaan Pekan Banting, 42700 Banting, Selangor Darul Ehsan.						

Note: Published data based on mid point condition - Return Gas Temperature 20°C

RJ0110030015389

6RC0210HL-ABBA-55