

### Condensing Unit Details

Model	JEHR-0210-H2-L-3
Application	Low Temperature

### Electrical Supply

400V / 3Ph / 50Hz

### Weights & Dimensions

Width	1101 mm
Depth	444 mm
Height	662 mm
Mounting Dims.	703 mm (W) x 408 mm (D)
Weight (Dry)	81 kgs

### Compressor Data

Type	FH2511P-XG1A
Swept Volume	11.83 m <sup>3</sup> /h
Oil Charge	1.14 litre
Nom. Current (A)	3.2
MCC (A)	8.0
LRC (A)	60.0

### Oil Separator

Oil Charge	0.50 litre
------------	------------

### Fan Motors

No.	1
FLC (A)	0.6

### Condenser Coil

Type	Microchannel
Volume	0.51 litre

### Liquid Receiver

Volume	4.5 litres
PED Cat.	I (A1) / II (A2L)

### Airflow

Volume	2700 m <sup>3</sup> /h
--------	------------------------

### Applicable Refrigerants

R448A/R449A/R452A/R454C/R455A

### Unit Connections

Liquid	3/8"
Suction	5/8"

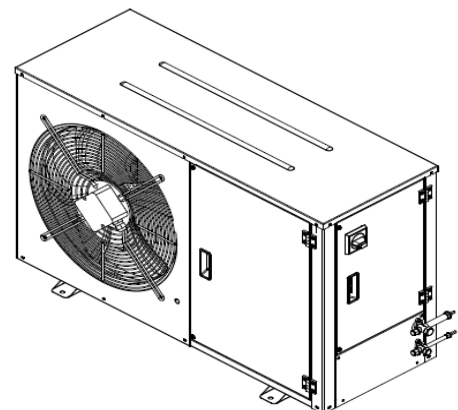
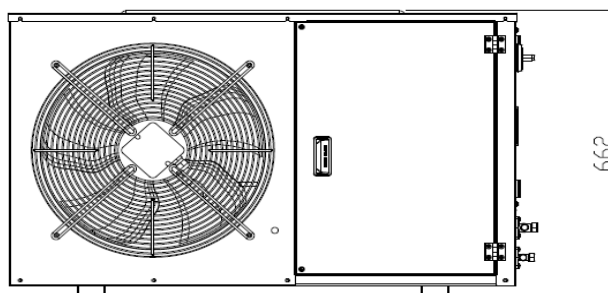
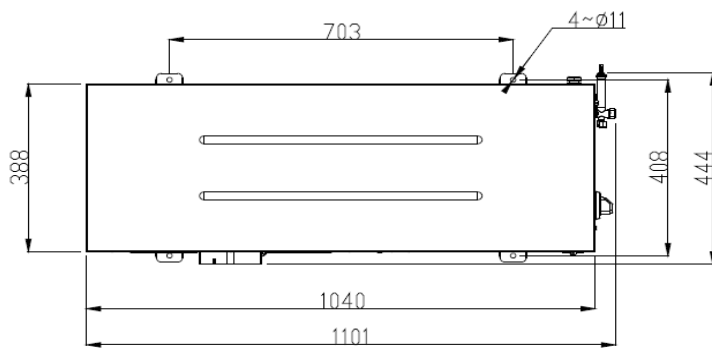
### Sound Pressure Level @ 10m (-25°C/+32°C)

38 dB(A)

### Performance Data at -35°C/+32°C Conditions

	Capacity (W) 10K SH		Capacity (W) 20°C RGT	
	Dew	Mid	Dew	Mid
R448A	1170	1315	1356	1519
R449A	1170	1315	1356	1519
R452A	1228	1295	1532	1619
R454C	912	1058	1089	1255
R455A	1079	1359	1248	1565

1/1 Octave Sound Pressure Levels @ 1 meter from the unit							
Frequency							
125 Hz	250 Hz	500 Hz	1 kHz	2 kHz	4 kHz	8 kHz	A (dBA)
54.4	62.2	56.3	50.1	46.9	39.3	36.6	57.5



## Ecodesign 2018 Condensing Unit Information

Model: JEHR-0210-H2-L-3

Refrigerant fluid:		R448A	R449A	R452A	R455A	R454C	
Item	Symbol	Value					Unit
Evaporating temperature*	$t$	-35					°C
<b>Parameters at full load and ambient temperature 32°C</b>							
Rated cooling capacity	$P_A$	1.69	1.69	1.89	1.77	1.45	kW
Rated power input	$D_A$	1.49	1.49	1.60	1.46	1.25	kW
Rated COP	$COP_A$	1.14	1.14	1.18	1.21	1.15	
<b>Parameters at full load and ambient temperature 25°C</b>							
Cooling capacity	$P_2$	1.85	1.85	2.27	2.04	1.68	kW
Power input	$D_2$	1.50	1.50	1.61	1.47	1.27	kW
COP	$COP_2$	1.24	1.24	1.40	1.39	1.32	
<b>Parameters at full load and ambient temperature 43°C</b>							
Cooling capacity	$P_3$	N/A	N/A	1.30	1.36	1.08	kW
Power input	$D_3$	N/A	N/A	1.51	1.41	1.20	kW
COP	$COP_3$	N/A	N/A	0.86	0.97	0.90	
<b>Other items</b>							
Capacity control	Fixed						
Coefficient of degradation for fixed and staged capacity units*	$C_d$	0.25					
Contact details	Daikin Refrigeration Malaysia Sdn. Bhd. Lot 10, Jalan Perusahaan 8, Kawasan Perusahaan Pekan Banting, 42700 Banting, Selangor Darul Ehsan.						

Note: Published data based on mid point condition - Return Gas Temperature 20°C

RJ0110030015390

6RC0210HL-FBBA-55