

Condensing Unit Details

Model	JEHR-0225-B2-L-1
Application	Low Temperature

Electrical Supply

230V / 1Ph / 50Hz

Weights & Dimensions

Width	1101 mm
Depth	444 mm
Height	662 mm
Mounting Dims.	703 mm (W) x 408 mm (D)
Weight (Dry)	75 kgs

Compressor Data

Type	NTZ068-5VM(B)
Swept Volume	11.80 m ³ /h
Oil Charge	0.95 litre
Nom. Current (A)	9.2
MCC (A)	17.0
LRC (A)	53.0

Oil Separator

Oil Charge	0.50 litre
------------	------------

Fan Motors

No.	1
FLC (A)	0.6

Condenser Coil

Type	Microchannel
Volume	0.51 litre

Liquid Receiver

Volume	4.5 litres
--------	------------

Airflow

Volume	2700 m ³ /h
--------	------------------------

Applicable Refrigerants

R404A/R452A

Unit Connections

Liquid	3/8"
Suction	5/8"

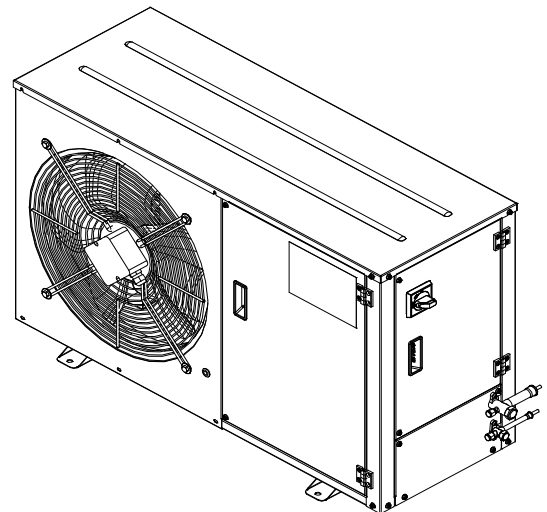
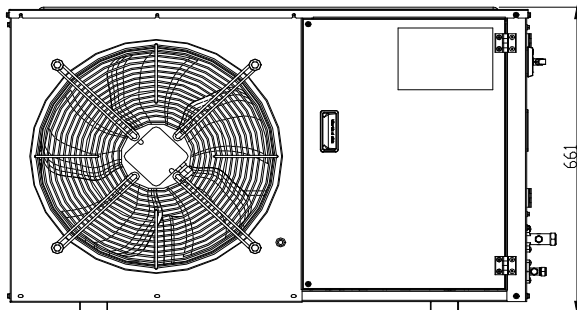
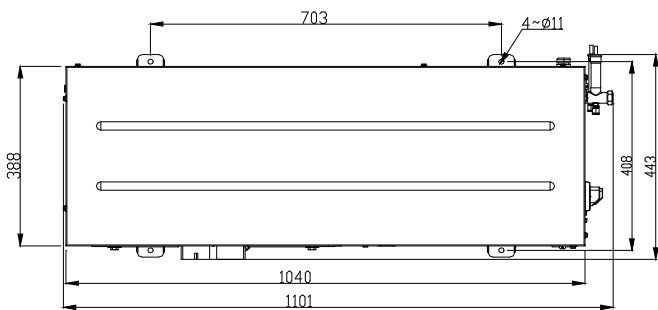
Sound Pressure Level @ 10m (-25°C/+32°C)

40 dB(A)

Performance Data at -35°C/+32°C Conditions

	Capacity (W) 10K SH	Capacity (W) 20°C RGT
R404A	1572	1806
R452A	1401	1603

1/1 Octave Sound Pressure Levels @ 1 meter from the unit							
Frequency							
125 Hz	250 Hz	500 Hz	1 kHz	2 kHz	4 kHz	8 kHz	A (dBA)
59.7	57.7	59.6	57.0	48.2	44.2	37.8	60.4



Product Information based on the requirements of Commission Regulation EU 2015/1095

Model : JEHR-0225-B2-L-1

Refrigerant fluid:		R404A	R452A	
Item	Symbol	Value		Unit
Evaporating temperature*	t	-35		°C
Parameters at full load and ambient temperature 32 °C				
Rated cooling capacity	P_A	1.81	1.60	kW
Rated power input	D_A	1.74	1.64	kW
Rated COP	COP_A	1.04	0.98	
Parameters at full load and ambient temperature 25 °C				
Cooling capacity	P_2	2.05	1.86	kW
Power input	D_2	1.69	1.65	kW
COP	COP_2	1.21	1.12	
Parameters at full load and ambient temperature 43 °C				
Cooling capacity	P_3	N/A	N/A	kW
Power input	D_3	N/A	N/A	kW
COP	COP_3	N/A	N/A	
Other items				
Capacity control		Fixed		
Coefficient of degradation for fixed and staged capacity units*	Cd	0.25		
Contact details	Daikin Refrigeration Malaysia Sdn. Bhd. Lot 10, Jalan Perusahaan 8, Kawasan Perusahaan Pekan Banting, 42700 Banting, Selangor Darul Ehsan.			

Note: Published data based on condition - Return Gas Temperature 20° C



6RC0225EL-ABBA-55