

Condensing Unit Details

Model JEHR-0225-B2-L-3
 Application Low Temperature

Electrical Supply

400V / 3Ph / 50Hz

Weights & Dimensions

Width 1101 mm
 Depth 444 mm
 Height 662 mm
 Mounting Dims. 703 mm (W) x 408 mm (D)
 Weight (Dry) 74 kgs

Compressor Data

Type NTZ068-4VM(B)
 Swept Volume 11.80 m³/h
 Oil Charge 0.95 litre
 Nom. Current (A) 3.5
 MCC (A) 8.4
 LRC (A) 25.0

Oil Separator

Oil Charge 0.50 litre

Fan Motors

No. 1
 FLC (A) 0.6

Condenser Coil

Type Microchannel
 Volume 0.51 litre

Liquid Receiver

Volume 4.5 litres

Airflow

Volume 2700 m³/h

Applicable Refrigerants

R404A/R452A

Unit Connections

Liquid 3/8"
 Suction 5/8"

Sound Pressure Level @ 10m (-25°C/+32°C)

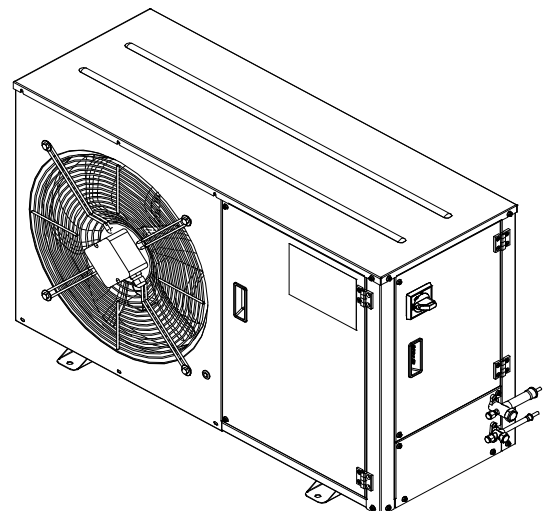
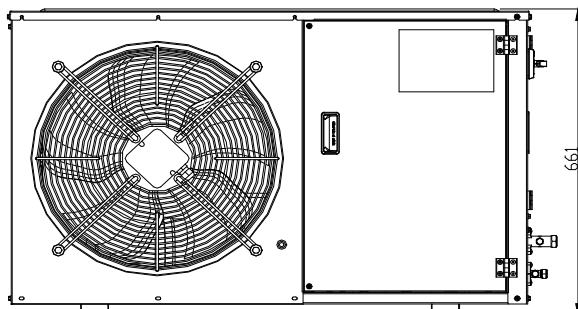
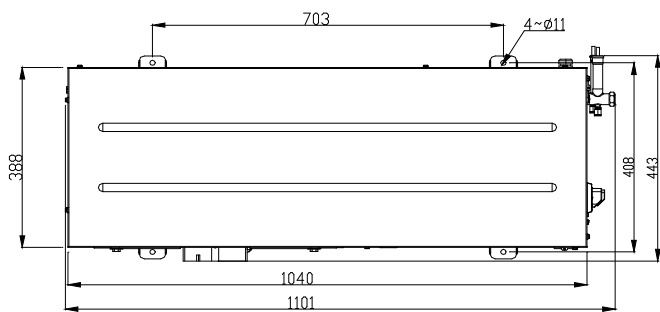
40 dB(A)

Performance Data at -35°C/+32°C Conditions

	Capacity (W) 10K SH	Capacity (W) 20°C RGT
R404A	1578	1812
R452A	1392	1594

1/1 Octave Sound Pressure Levels @ 1 meter from the unit

Frequency							
125 Hz	250 Hz	500 Hz	1 kHz	2 kHz	4 kHz	8 kHz	A (dBA)
59.7	57.7	59.6	57.0	48.2	44.2	37.8	60.4



Product Information based on the requirements of Commission Regulation EU 2015/1095

Model : JEHR-0225-B2-L-3

Refrigerant fluid:		R404A	R452A	
Item	Symbol	Value		Unit
Evaporating temperature*	t	-35		°C
Parameters at full load and ambient temperature 32 °C				
Rated cooling capacity	P_A	1.81	1.59	kW
Rated power input	D_A	1.63	1.42	kW
Rated COP	COP_A	1.11	1.12	
Parameters at full load and ambient temperature 25 °C				
Cooling capacity	P_2	2.13	1.81	kW
Power input	D_2	1.58	1.38	kW
COP	COP_2	1.35	1.31	
Parameters at full load and ambient temperature 43 °C				
Cooling capacity	P_3	N/A	N/A	kW
Power input	D_3	N/A	N/A	kW
COP	COP_3	N/A	N/A	
Other items				
Capacity control		Fixed		
Coefficient of degradation for fixed and staged capacity units*	Cd	0.25		
Contact details	Daikin Refrigeration Malaysia Sdn. Bhd. Lot 10, Jalan Perusahaan 8, Kawasan Perusahaan Pekan Banting, 42700 Banting, Selangor Darul Ehsan.			

Note: Published data based on condition - Return Gas Temperature 20° C



6RC0225EL-FBBA-55