

CONDENSING UNIT SPECIFICATION SHEET

Condensing Unit Details

Model	JEHS-0200-B2-L-3
Application	Low Temperature

Electrical Supply

400V / 3Ph / 50Hz

Weights & Dimensions

Width	1101 mm
Depth	444 mm
Height	662 mm
Mounting Dims.	703 mm (W) x 408 mm (D)
Weight (Dry)	76 kgs

Compressor Data

Type	ZF06KQE-TFD
Swept Volume	5.90 m ³ /h
Oil Charge	1.30 litres
Nom. Current (A)	2.7
MCC (A)	6.0
LRC (A)	26.0

Oil Separator

Oil Charge	0.50 litre
------------	------------

Fan Motors

No.	1
FLC (A)	0.6

Condenser Coil

Type	Microchannel
Volume	0.51 litre

Liquid Receiver

Volume	4.5 litres
--------	------------

Airflow

Volume	2700 m ³ /h
--------	------------------------

Applicable Refrigerants

R404A/R407A/R407F/R448A/R449A

Unit Connections

Liquid	3/8"
Suction	3/4"

Sound Pressure Level @ 10m (-25°C/+32°C)

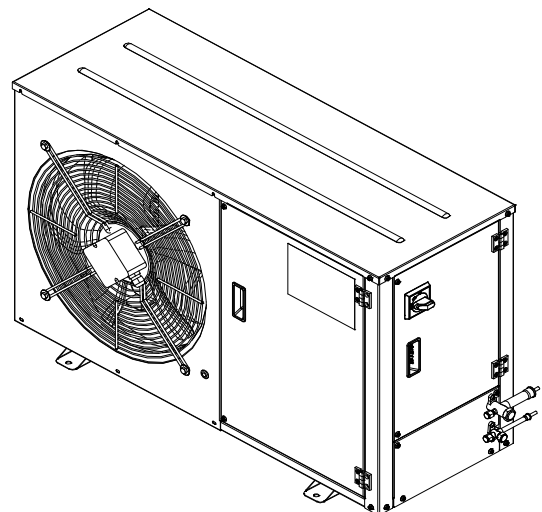
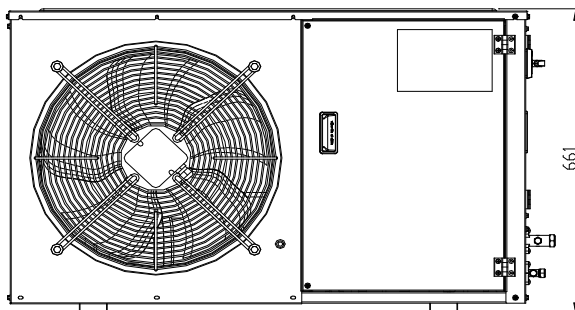
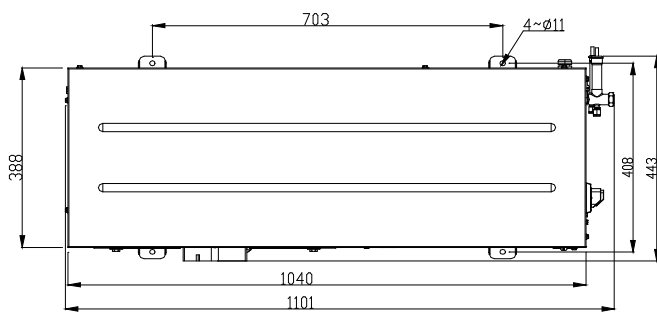
32 dB(A)

Performance Data at -35°C/+32°C Conditions

	Capacity (W) 10K SH	Capacity (W) 20°C RGT
R404A	1210	1420
R407A	1080	1160
R407F	1190	1240
R448A	1210	1290
R449A	1210	1290

1/1 Octave Sound Pressure Levels @ 1 meter from the unit

Frequency							
125 Hz	250 Hz	500 Hz	1 kHz	2 kHz	4 kHz	8 kHz	A (dBA)
55.9	50.8	53.0	44.3	36.1	27.8	28.6	51.9



Product Information based on the requirements of Commission Regulation EU 2015/1095

Model : JEHS-0200-B2-L-3

Refrigerant fluid:		R404A	
Item	Symbol	Value	Unit
Evaporating temperature*	t	-35	°C
Parameters at full load and ambient temperature 32 °C			
Rated cooling capacity	P_A	1.42	kW
Rated power input	D_A	1.46	kW
Rated COP	COP_A	0.97	
Parameters at full load and ambient temperature 25 °C			
Cooling capacity	P_2	1.52	kW
Power input	D_2	1.31	kW
COP	COP_2	1.16	
Parameters at full load and ambient temperature 43 °C			
Cooling capacity	P_3	1.17	kW
Power input	D_3	1.94	kW
COP	COP_3	0.60	
Other items			
Capacity control	Fixed		
Coefficient of degradation for fixed and staged capacity units*	Cd	0.25	
Contact details	Daikin Refrigeration Malaysia Sdn. Bhd. Lot 10, Jalan Perusahaan 8, Kawasan Perusahaan Pekan Banting, 42700 Banting, Selangor Darul Ehsan.		

Note: Published data based on condition - Return Gas Temperature 20° C



6SC0200EL-FBBA-55