

CONDENSING UNIT SPECIFICATION SHEET

Condensing Unit Details

Model JEHS-0250-B2-M-3
Application Medium Temperature

Electrical Supply

400V / 3Ph / 50Hz

Weights & Dimensions

Width 1101 mm
Depth 444 mm
Height 662 mm
Mounting Dims. 703 mm (W) x 408 mm (D)
Weight (Dry) 72 kgs

Compressor Data

Type ZB19KQE-TFD
Swept Volume 6.80 m³/h
Oil Charge 1.36 litres
Nom. Current (A) 4.2
MCC (A) 7.0
LRC (A) 32.0

Fan Motors

No. 1
FLC (A) 0.6

Condenser Coil

Type Microchannel
Volume 0.51 litres

Liquid Receiver

Volume 4.5 litres

Airflow

Volume 2700 m³/h

Applicable Refrigerants

R134a/R404A/R407A/R407F/R448A/R449A

Unit Connections

Liquid 3/8"
Suction 3/4"

Sound Pressure Level @ 10m (-10°C/+32°C)

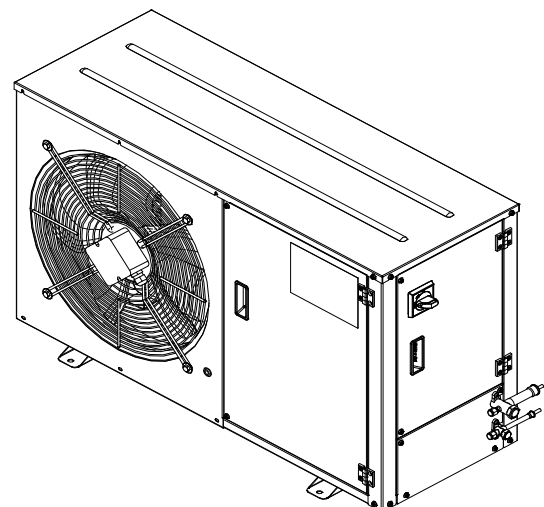
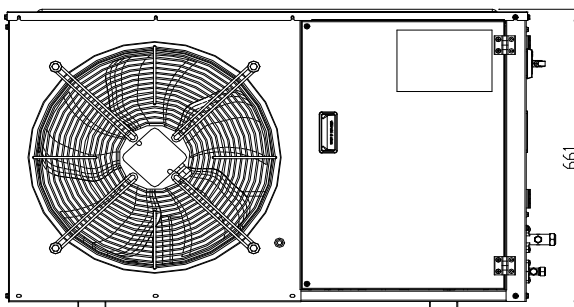
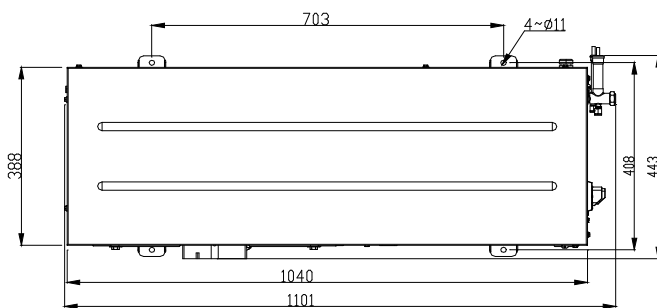
34 dB(A)

Performance Data at -10°C/+32°C Conditions

	Capacity (W) 10K SH	Capacity (W) 20°C RGT
R134a	2480	n/a
R404A	4210	4500
R407A	3940	4050
R407F	3850	3940
R448A	3700	3820
R449A	3700	3820

1/1 Octave Sound Pressure Levels @ 1 meter from the unit

Frequency							
125 Hz	250 Hz	500 Hz	1 kHz	2 kHz	4 kHz	8 kHz	A (dBA)
54.1	59.4	50.2	45.3	41.8	33.9	31.5	53.8



Product Information based on the requirements of Commission Regulation EU 2015/1095

Model : JEHS-0250-B2-M-3

Refrigerant fluid:		R404A	R407A	R407F	R448A	R449A	
Item	Symbol	Value					Unit
Evaporating temperature*	t	-10					°C
Parameters at full load and ambient temperature 32 °C							
Rated cooling capacity	P_A	4.50	4.05	3.94	3.82	3.82	kW
Rated power input	D_A	2.04	2.04	2.16	1.98	1.98	kW
Rated COP	COP_A	2.21	1.99	1.83	1.93	1.93	
Parameters at full load and ambient temperature 25 °C							
Cooling capacity	P_2	4.77	4.31	4.31	4.08	4.08	kW
Power input	D_2	1.87	1.83	1.89	1.76	1.76	kW
COP	COP_2	2.55	2.36	2.29	2.32	2.32	
Parameters at full load and ambient temperature 43 °C							
Cooling capacity	P_3	3.76	N/A	N/A	3.35	3.35	kW
Power input	D_3	2.52	N/A	N/A	2.47	2.47	kW
COP	COP_3	1.50	N/A	N/A	1.36	1.36	
Other items							
Capacity control		Fixed					
Coefficient of degradation for fixed and staged capacity units*	Cd	0.25					
Contact details	Daikin Refrigeration Malaysia Sdn. Bhd. Lot 10, Jalan Perusahaan 8, Kawasan Perusahaan Pekan Banting, 42700 Banting, Selangor Darul Ehsan.						

Note: Published data based on condition - Return Gas Temperature 20° C



6SC0250EM-FBBA-55