

### Condensing Unit Details

Model JEHS-0300-B2-M-1  
Application Medium Temperature

### Electrical Supply

230V / 1Ph / 50Hz

### Weights & Dimensions

Width 1101 mm  
Depth 444 mm  
Height 662 mm  
Mounting Dims. 703 mm (W) x 408 mm (D)  
Weight (Dry) 74 kgs

### Compressor Data

Type ZB21KQE-PFJ  
Swept Volume 8.60 m<sup>3</sup>/h  
Oil Charge 1.45 litres  
Nom. Current (A) 12.2  
MCC (A) 21.5  
LRC (A) 82.0

### Fan Motors

No. 1  
FLC (A) 0.6

### Condenser Coil

Type Microchannel  
Volume 0.51 litres

### Liquid Receiver

Volume 4.5 litres

### Airflow

Volume 2700 m<sup>3</sup>/h

### Applicable Refrigerants

R134a/R404A/R407A/R407F/R448A/R449A

### Unit Connections

Liquid 3/8"  
Suction 3/4"

### Sound Pressure Level @ 10m (-10°C/+32°C)

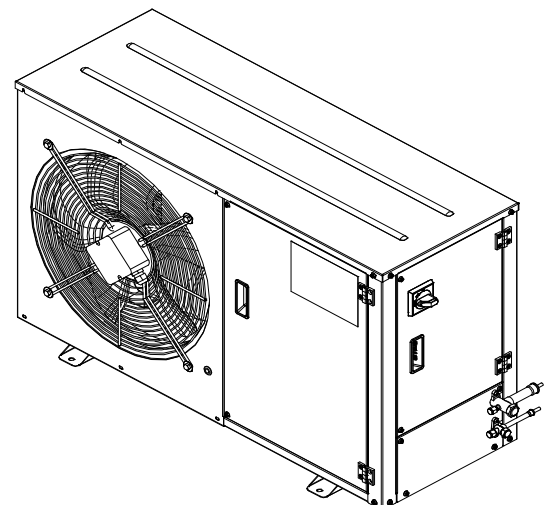
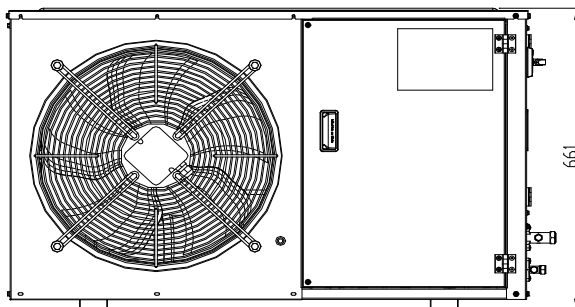
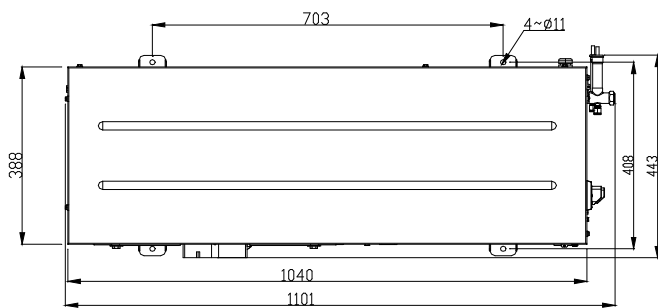
36 dB(A)

### Performance Data at -10°C/+32°C Conditions

	Capacity (W) 10K SH	Capacity (W) 20°C RGT
R134a	3090	n/a
R404A	4920	5290
R407A	4650	n/a
R407F	4500	4630
R448A	4570	4730
R449A	4570	4730

### 1/1 Octave Sound Pressure Levels @ 1 meter from the unit

Frequency							
125 Hz	250 Hz	500 Hz	1 kHz	2 kHz	4 kHz	8 kHz	A (dBA)
61.3	57.4	53.6	50.2	47.5	39.3	32.0	56.0



# Product Information based on the requirements of Commission Regulation EU 2015/1095

Model : JEHS-0300-B2-M-1

Refrigerant fluid:		R404A	
Item	Symbol	Value	Unit
Evaporating temperature*	$t$	-10	°C
Annual electricity consumption	$Q$	12093	kWh/a
Seasonal Energy Performance Ratio	$SEPR$	2.69	
<b>Parameters at full load and ambient temperature 32 °C (Point A)</b>			
Rated cooling capacity	$P_A$	5.29	kW
Rated power input	$D_A$	2.62	kW
Rated COP	$COP_A$	2.02	
<b>Parameters at part load and ambient temperature 25 °C (Point B)</b>			
Declared cooling capacity	$P_B$	5.680	kW
Declared power input	$D_B$	2.380	kW
Declared COP	$COP_B$	2.39	
<b>Parameters at part load and ambient temperature 15 °C (Point C)</b>			
Declared cooling capacity	$P_C$	6.200	kW
Declared power input	$D_C$	2.090	kW
Declared COP	$COP_C$	2.97	
<b>Parameters at part load and ambient temperature 5 °C (Point D)</b>			
Declared cooling capacity	$P_D$	6.480	kW
Declared power input	$D_D$	1.940	kW
Declared COP	$COP_D$	3.34	
<b>Parameters at full load and ambient temperature 43 °C</b>			
Cooling capacity	$P_3$	4.42	kW
Power input	$D_3$	3.21	kW
Declared COP	$COP_3$	1.38	
<b>Other items</b>			
Capacity control	Fixed		
Coefficient of degradation for fixed and staged capacity units*	$Cd$	0.25	
Contact details	Daikin Refrigeration Malaysia Sdn. Bhd. Lot 10, Jalan Perusahaan 8, Kawasan Perusahaan Pekan Banting, 42700 Banting, Selangor Darul Ehsan.		

Note: Published data based on condition - Return Gas Temperature 20 °C



6SC0300EM-ABBA-55

Refrigerant fluid:		R407F	R448A	R449A	
Item	Symbol	Value			Unit
Evaporating temperature*	$t$	-10			°C
<b>Parameters at full load and ambient temperature 32 °C</b>					
Rated cooling capacity	$P_A$	4.63	4.73	4.73	kW
Rated power input	$D_A$	2.66	2.56	2.56	kW
Rated COP	$COP_A$	1.74	1.85	1.85	
<b>Parameters at full load and ambient temperature 25 °C</b>					
Cooling capacity	$P_2$	5.09	5.07	5.07	kW
Power input	$D_2$	2.31	2.27	2.27	kW
COP	$COP_2$	2.21	2.23	2.23	
<b>Parameters at full load and ambient temperature 43 °C</b>					
Cooling capacity	$P_3$	N/A	4.12	4.12	kW
Power input	$D_3$	N/A	3.14	3.14	kW
COP	$COP_3$	N/A	1.31	1.31	
<b>Other items</b>					
Capacity control	Fixed				
Coefficient of degradation for fixed and staged capacity units*	$Cd$	0.25			
Contact details	Daikin Refrigeration Malaysia Sdn. Bhd. Lot 10, Jalan Perusahaan 8, Kawasan Perusahaan Pekan Banting, 42700 Banting, Selangor Darul Ehsan.				