

CONDENSING UNIT SPECIFICATION SHEET

Condensing Unit Details

Model	JEHR-0050-B1-M-1
Application	Medium Temperature

Electrical Supply

230V / 1Ph / 50Hz

Weights & Dimensions

Width	876 mm
Depth	420 mm
Height	607 mm
Mounting Dims.	545 mm (W) x 400 mm (D)
Weight (Dry)	49 kgs

Compressor Data

Type	AE4460Z-FZ1C
Swept Volume	1.80 m ³ /h
Oil Charge	0.28 litres
Nom. Current (A)	3.4
MCC (A)	5.9
LRC (A)	19.4

Fan Motors

No.	1
FLC (A)	0.2

Condenser Coil

Type	Microchannel
Volume	0.44 litres

Liquid Receiver

Volume	2.4 litres
--------	------------

Airflow

Volume	1250 m ³ /h
--------	------------------------

Applicable Refrigerants

R404A/R407A/R407F/R448A/R449A/R452A

Unit Connections

Liquid	1/4"
Suction	3/8"

Sound Pressure Level @ 10m (-10°C/+32°C)

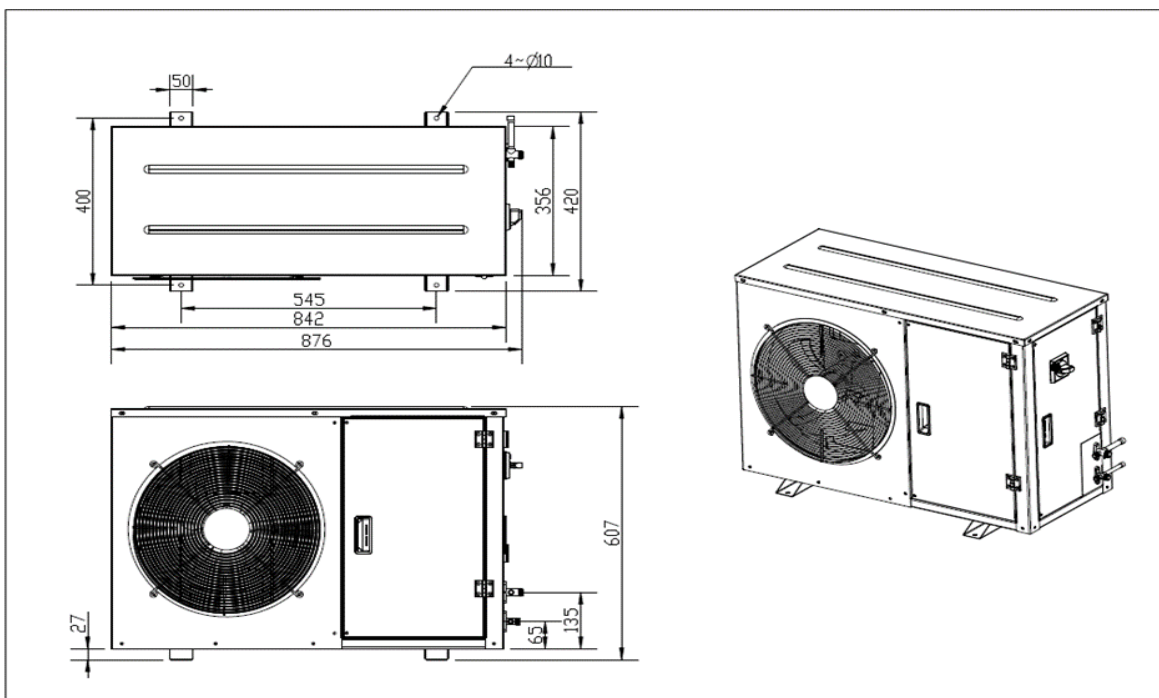
28 dB(A)

Performance Data at -10°C/+32°C Conditions

	Capacity (W) 10K SH	Capacity (W) 20°C RGT
R404A	910	1008
R407A	721	798
R407F	778	862
R448A	817	872
R449A	817	872
R452A	866	949

1/1 Octave Sound Pressure Levels @ 1 meter from the unit

Frequency							
125 Hz	250 Hz	500 Hz	1 kHz	2 kHz	4 kHz	8 kHz	A (dBA)
51.8	54.1	46.9	39.5	34.1	29.7	24.0	48.0



Product Information based on the requirements of Commission Regulation EU 2015/1095

Model : JEHR-0050-B1-M-1

Refrigerant fluid:		R404A	R407A	R407F	R448A	R449A	R452A	
Item	Symbol	Value						Unit
Evaporating temperature*	t	-10						°C
Parameters at full load and ambient temperature 32 °C								
Rated cooling capacity	P_A	1.01	0.80	0.86	0.87	0.87	0.95	kW
Rated power input	D_A	0.59	0.50	0.49	0.53	0.53	0.57	kW
Rated COP	COP_A	1.72	1.59	1.77	1.66	1.66	1.67	
Parameters at full load and ambient temperature 25 °C								
Cooling capacity	P_2	1.14	0.82	0.89	0.95	0.95	1.03	kW
Power input	D_2	0.51	0.48	0.46	0.50	0.50	0.54	kW
COP	COP_2	2.21	1.69	1.93	1.91	1.91	1.90	
Parameters at full load and ambient temperature 43 °C								
Cooling capacity	P_3	0.83	0.75	0.79	0.73	0.73	0.80	kW
Power input	D_3	0.63	0.53	0.54	0.58	0.58	0.61	kW
COP	COP_3	1.33	1.42	1.46	1.27	1.27	1.31	
Other items								
Capacity control		Fixed						
Coefficient of degradation for fixed and staged capacity units*	C_d	0.25						
Contact details	Daikin Refrigeration Malaysia Sdn. Bhd. Lot 10, Jalan Perusahaan 8, Kawasan Perusahaan Pekan Banting, 42700 Banting, Selangor Darul Ehsan.							

Note: Published data based on condition - Return Gas Temperature 20° C



6RC0050EM-ABBA-55