

## CONDENSING UNIT SPECIFICATION SHEET

### Condensing Unit Details

Model	JEHR-0050-H1-M-1
Application	Medium Temperature

### Electrical Supply

230V / 1Ph / 50Hz

### Weights & Dimensions

Width	876 mm
Depth	430 mm
Height	606 mm
Mounting Dims.	545 mm (W) x 400 mm (D)
Weight (Dry)	42 kgs

### Compressor Data

Type	AE4460P-FZ1B
Swept Volume	1.80 m <sup>3</sup> /h
Oil Charge	0.37 litres
Nom. Current (A)	3.1
MCC (A)	5.4
LRC (A)	19.0

### Fan Motors

No.	1
FLC (A)	0.2

### Condenser Coil

Type	Microchannel
Volume	0.44 litres

### Liquid Receiver

Volume	2.4 litres
PED Cat.	I (A1) / II (A2L)

### Airflow

Volume	1250 m <sup>3</sup> /h
--------	------------------------

### Applicable Refrigerants

R448A/R449A/R452A/R454C/R455A

### Unit Connections

Liquid	1/4"
Suction	3/8"

### Sound Pressure Level @ 10m (-10°C/+32°C)

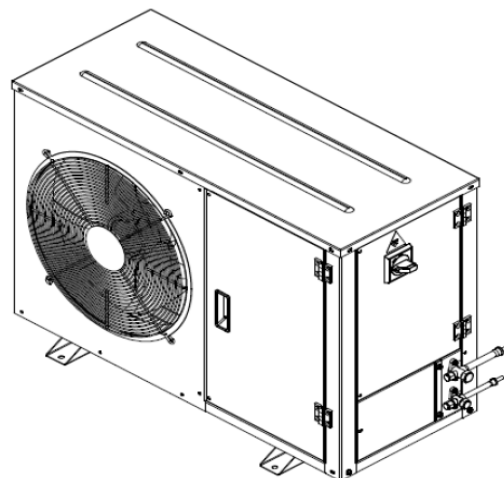
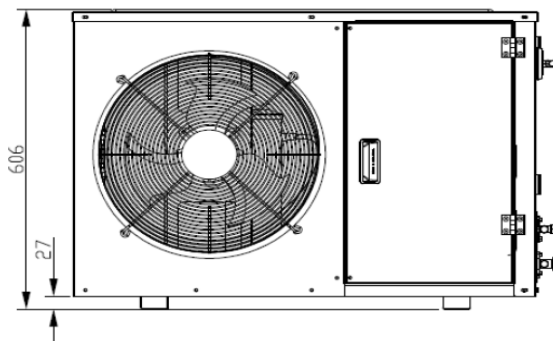
28 dB(A)

### Performance Data at -10°C/+32°C Conditions

	Capacity (W) 10K SH		Capacity (W) 20°C RGT	
	Dew	Mid	Dew	Mid
R448A	817	882	872	939
R449A	817	882	872	939
R452A	866	901	949	987
R454C	714	778	779	843
R455A	787	910	848	969

### 1/1 Octave Sound Pressure Levels @ 1 meter from the unit

Frequency							
125 Hz	250 Hz	500 Hz	1 kHz	2 kHz	4 kHz	8 kHz	A (dBA)
51.8	54.1	46.9	39.5	34.1	29.7	24.0	48.0



## Ecodesign 2018 Condensing Unit Information

Model: JEHR-0050-H1-M-1

Refrigerant fluid:		R448A	R449A	R452A	R455A	R454C	
Item	Symbol	Value					Unit
Evaporating temperature*	$t$	-10					°C
<b>Parameters at full load and ambient temperature 32°C</b>							
Rated cooling capacity	$P_A$	0.96	0.96	1.04	1.01	0.89	kW
Rated power input	$D_A$	0.51	0.51	0.54	0.51	0.48	kW
<b>Rated COP</b>	$COP_A$	1.87	1.87	1.94	2.00	1.86	
<b>Parameters at full load and ambient temperature 25°C</b>							
Cooling capacity	$P_2$	1.05	1.05	1.13	1.11	0.97	kW
Power input	$D_2$	0.48	0.48	0.51	0.48	0.46	kW
<b>COP</b>	$COP_2$	2.17	2.17	2.23	2.32	2.14	
<b>Parameters at full load and ambient temperature 43°C</b>							
Cooling capacity	$P_3$	0.80	0.80	0.86	0.86	0.75	kW
Power input	$D_3$	0.56	0.56	0.58	0.55	0.51	kW
<b>COP</b>	$COP_3$	1.42	1.42	1.49	1.57	1.48	
<b>Other items</b>							
Capacity control	Fixed						
Coefficient of degradation for fixed and staged capacity units*	$C_d$	0.25					
Contact details	Daikin Refrigeration Malaysia Sdn. Bhd. Lot 10, Jalan Perusahaan 8, Kawasan Perusahaan Pekan Banting, 42700 Banting, Selangor Darul Ehsan.						

Note: Published data based on mid point condition - Return Gas Temperature 20°C

RJ0110030015411

6RC0050HM-ABBB-55