

CONDENSING UNIT SPECIFICATION SHEET

Condensing Unit Details

Model	JEHR-0067-H1-M-1
Application	Medium Temperature

Electrical Supply

230V / 1Ph / 50Hz

Weights & Dimensions

Width	876 mm
Depth	430 mm
Height	606 mm
Mounting Dims.	545 mm (W) x 400 mm (D)
Weight (Dry)	49 kgs

Compressor Data

Type	AJ4480P-FZ3A
Swept Volume	2.64 m ³ /h
Oil Charge	0.48 litres
Nom. Current (A)	2.7
MCC (A)	6.1
LRC (A)	24.1

Fan Motors

No.	1
FLC (A)	0.2

Condenser Coil

Type	Microchannel
Volume	0.44 litres

Liquid Receiver

Volume	2.4 litres
PED Cat.	I (A1) / II (A2L)

Airflow

Volume	1250 m ³ /h
--------	------------------------

Applicable Refrigerants

R448A/R449A/R452A/R454C/R455A

Unit Connections

Liquid	3/8"
Suction	1/2"

Sound Pressure Level @ 10m (-10°C/+32°C)

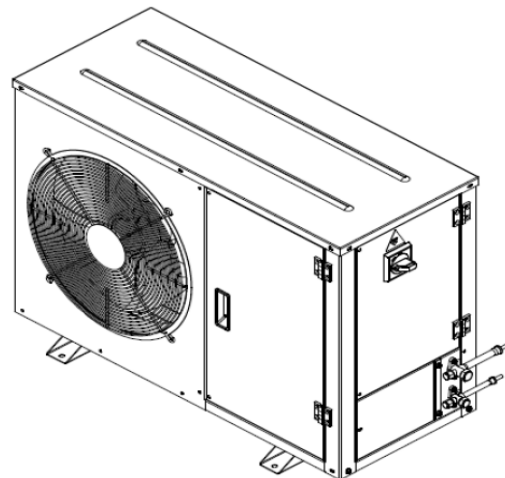
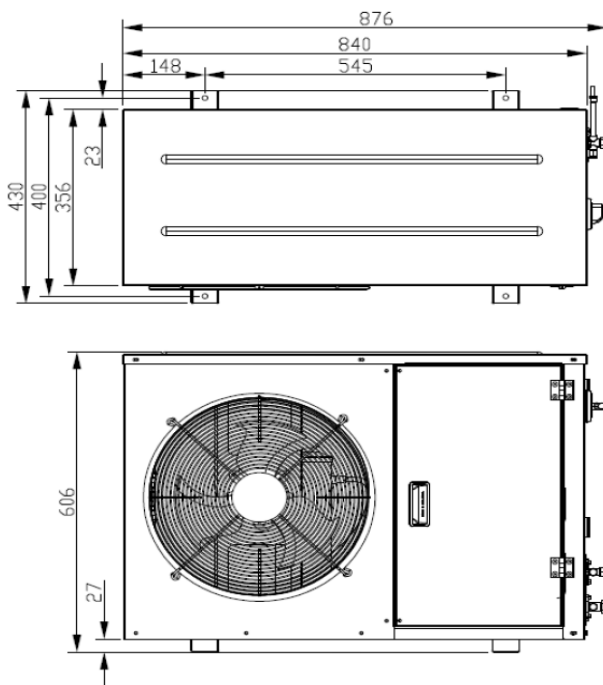
28 dB(A)

Performance Data at -10°C/+32°C Conditions

	Capacity (W) 10K SH		Capacity (W) 20°C RGT	
	Dew	Mid	Dew	Mid
R448A	1045	1132	1120	1209
R449A	1045	1132	1120	1209
R452A	1116	1164	1229	1280
R454C	879	965	962	1048
R455A	992	1169	1073	1249

1/1 Octave Sound Pressure Levels @ 1 meter from the unit

Frequency							
125 Hz	250 Hz	500 Hz	1 kHz	2 kHz	4 kHz	8 kHz	A (dBA)
55.6	49.5	47.1	39.5	34.7	27.2	22.3	47.7



Ecodesign 2018 Condensing Unit Information

Model: JEHR-0067-H1-M-1

Refrigerant fluid:		R448A	R449A	R452A	R455A	R454C	
Item	Symbol	Value					Unit
Evaporating temperature*	t	-10					°C
Parameters at full load and ambient temperature 32°C							
Rated cooling capacity	P_A	1.23	1.23	1.34	1.32	1.12	kW
Rated power input	D_A	0.68	0.68	0.71	0.66	0.62	kW
Rated COP	COP_A	1.80	1.80	1.88	2.00	1.82	
Parameters at full load and ambient temperature 25°C							
Cooling capacity	P_2	1.37	1.37	1.49	1.49	1.26	kW
Power input	D_2	0.65	0.65	0.69	0.63	0.59	kW
COP	COP_2	2.10	2.10	2.18	2.35	2.12	
Parameters at full load and ambient temperature 43°C							
Cooling capacity	P_3	1.00	1.00	1.10	1.06	0.90	kW
Power input	D_3	0.73	0.73	0.75	0.69	0.65	kW
COP	COP_3	1.38	1.38	1.46	1.53	1.40	
Other items							
Capacity control	Fixed						
Coefficient of degradation for fixed and staged capacity units*	C_d	0.25					
Contact details	Daikin Refrigeration Malaysia Sdn. Bhd. Lot 10, Jalan Perusahaan 8, Kawasan Perusahaan Pekan Banting, 42700 Banting, Selangor Darul Ehsan.						

Note: Published data based on mid point condition - Return Gas Temperature 20°C

RJ0110030015412

6RC0067HM-ABBB-55