

### Condensing Unit Details

Model	JEHR-0100-B1-M-1
Application	Medium Temperature

### Electrical Supply

230V / 1Ph / 50Hz

### Weights & Dimensions

Width	876 mm
Depth	420 mm
Height	607 mm
Mounting Dims.	545 mm (W) x 400 mm (D)
Weight (Dry)	57 kgs

### Compressor Data

Type	CAJ9510Z
Swept Volume	3.18 m <sup>3</sup> /h
Oil Charge	0.48 litres
Nom. Current (A)	3.9
MCC (A)	8.4
LRC (A)	29.5

### Fan Motors

No.	1
FLC (A)	0.2

### Condenser Coil

Type	Microchannel
Volume	0.44 litres

### Liquid Receiver

Volume	2.4 litres
--------	------------

### Airflow

Volume	1250 m <sup>3</sup> /h
--------	------------------------

### Applicable Refrigerants

R404A/R407A/R407F/R448A/R449A/R452A

### Unit Connections

Liquid	3/8"
Suction	1/2"

### Sound Pressure Level @ 10m (-10°C/+32°C)

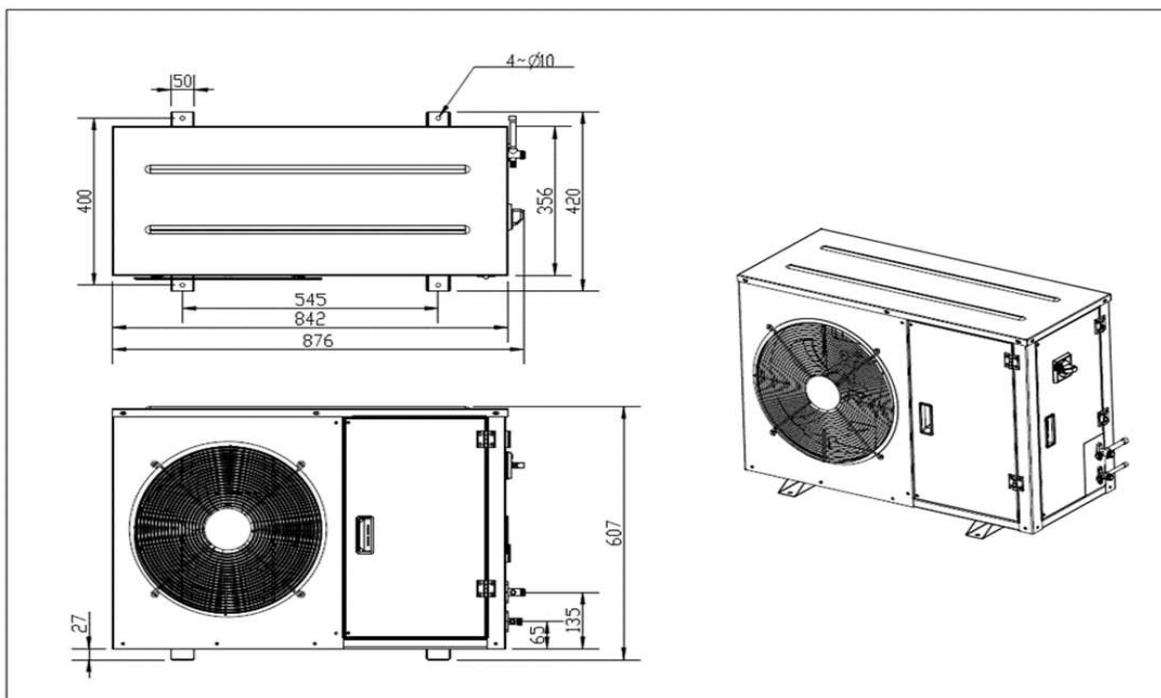
28 dB(A)

### Performance Data at -10°C/+32°C Conditions

	Capacity (W) 10K SH	Capacity (W) 20°C RGT
R404A	1495	1589
R407A	1192	1327
R407F	1261	1408
R448A	1252	1345
R449A	1252	1345
R452A	1341	1481

1/1 Octave Sound Pressure Levels @ 1 meter from the unit

Frequency							
125 Hz	250 Hz	500 Hz	1 kHz	2 kHz	4 kHz	8 kHz	A (dBA)
54.0	52.9	45.7	40.1	34.8	26.5	25.2	47.5



# Product Information based on the requirements of Commission Regulation EU 2015/1095

Model : JEHR-0100-B1-M-1

Refrigerant fluid:		R404A	R407A	R407F	R448A	R449A	R452A	
Item	Symbol	Value						Unit
Evaporating temperature*	$t$	-10						°C
<b>Parameters at full load and ambient temperature 32 °C</b>								
Rated cooling capacity	$P_A$	1.59	1.33	1.41	1.35	1.35	1.48	kW
Rated power input	$D_A$	0.89	0.80	0.79	0.82	0.82	0.88	kW
Rated COP	$COP_A$	1.79	1.66	1.77	1.64	1.64	1.68	
<b>Parameters at full load and ambient temperature 25 °C</b>								
Cooling capacity	$P_2$	1.81	1.35	1.47	1.49	1.49	1.63	kW
Power input	$D_2$	0.84	0.78	0.75	0.79	0.79	0.86	kW
COP	$COP_2$	2.15	1.74	1.95	1.89	1.89	1.90	
<b>Parameters at full load and ambient temperature 43 °C</b>								
Cooling capacity	$P_3$	1.32	N/A	N/A	1.10	1.10	1.23	kW
Power input	$D_3$	0.92	N/A	N/A	0.88	0.88	0.92	kW
COP	$COP_3$	1.44	N/A	N/A	1.25	1.25	1.34	
<b>Other items</b>								
Capacity control		Fixed						
Coefficient of degradation for fixed and staged capacity units*	$C_d$	0.25						
Contact details	Daikin Refrigeration Malaysia Sdn. Bhd. Lot 10, Jalan Perusahaan 8, Kawasan Perusahaan Pekan Banting, 42700 Banting, Selangor Darul Ehsan.							

Note: Published data based on condition - Return Gas Temperature 20° C



6RC0100EM-ABBA-55