

### Condensing Unit Details

Model	JEHR-0100-H1-M-1
Application	Medium Temperature

### Electrical Supply

230V / 1Ph / 50Hz

### Weights & Dimensions

Width	876 mm
Depth	430 mm
Height	606 mm
Mounting Dims.	545 mm (W) x 400 mm (D)
Weight (Dry)	53 kgs

### Compressor Data

Type	AJ4510P-FZ3A
Swept Volume	3.18 m <sup>3</sup> /h
Oil Charge	0.48 litres
Nom. Current (A)	3.4
MCC (A)	7.5
LRC (A)	29.5

### Fan Motors

No.	1
FLC (A)	0.2

### Condenser Coil

Type	Microchannel
Volume	0.44 litres

### Liquid Receiver

Volume	2.4 litres
PED Cat.	I (A1) / II (A2L)

### Airflow

Volume	1250 m <sup>3</sup> /h
--------	------------------------

### Applicable Refrigerants

R448A/R449A/R452A/R454C/R455A

### Unit Connections

Liquid	3/8"
Suction	1/2"

### Sound Pressure Level @ 10m (-10°C/+32°C)

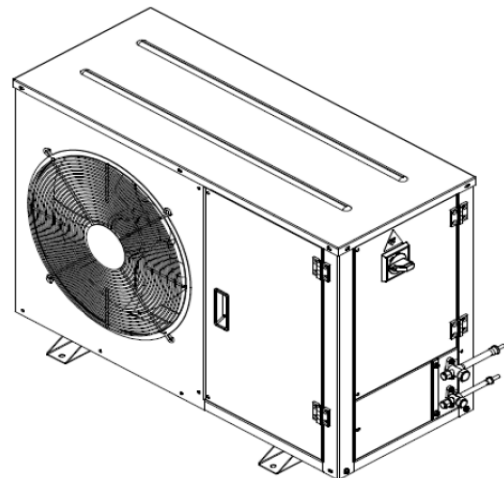
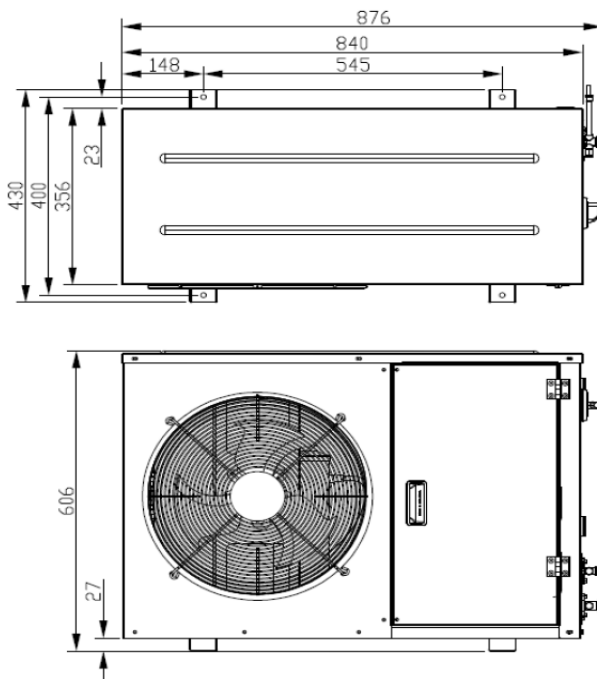
28 dB(A)

### Performance Data at -10°C/+32°C Conditions

	Capacity (W) 10K SH		Capacity (W) 20°C RGT	
	Dew	Mid	Dew	Mid
R448A	1252	1356	1345	1449
R449A	1252	1356	1345	1449
R452A	1341	1396	1481	1540
R454C	1059	1151	1158	1250
R455A	1149	1347	1242	1437

### 1/1 Octave Sound Pressure Levels @ 1 meter from the unit

Frequency							
125 Hz	250 Hz	500 Hz	1 kHz	2 kHz	4 kHz	8 kHz	A (dBA)
55.8	51.5	44.0	40.1	33.5	28.2	27.0	46.7



## Ecodesign 2018 Condensing Unit Information

Model: JEHR-0100-H1-M-1

Refrigerant fluid:		R448A	R449A	R452A	R455A	R454C	
Item	Symbol	Value					Unit
Evaporating temperature*	$t$	-10					°C
<b>Parameters at full load and ambient temperature 32°C</b>							
Rated cooling capacity	$P_A$	1.47	1.47	1.61	1.53	1.34	kW
Rated power input	$D_A$	0.84	0.84	0.87	0.82	0.77	kW
<b>Rated COP</b>	$COP_A$	1.76	1.76	1.85	1.87	1.75	
<b>Parameters at full load and ambient temperature 25°C</b>							
Cooling capacity	$P_2$	1.64	1.64	1.79	1.73	1.50	kW
Power input	$D_2$	0.80	0.80	0.84	0.78	0.73	kW
<b>COP</b>	$COP_2$	2.04	2.04	2.13	2.20	2.05	
<b>Parameters at full load and ambient temperature 43°C</b>							
Cooling capacity	$P_3$	1.20	1.20	1.33	1.23	1.09	kW
Power input	$D_3$	0.89	0.89	0.92	0.85	0.81	kW
<b>COP</b>	$COP_3$	1.36	1.36	1.45	1.44	1.35	
<b>Other items</b>							
Capacity control	Fixed						
Coefficient of degradation for fixed and staged capacity units*	$C_d$	0.25					
Contact details	Daikin Refrigeration Malaysia Sdn. Bhd. Lot 10, Jalan Perusahaan 8, Kawasan Perusahaan Pekan Banting, 42700 Banting, Selangor Darul Ehsan.						

Note: Published data based on mid point condition - Return Gas Temperature 20°C

RJ0110030015413

6RC0100HM-ABBB-55