

Condensing Unit Details

Model	JEHR-0113-B1-M-1
Application	Medium Temperature

Electrical Supply

230V / 1Ph / 50Hz

Weights & Dimensions

Width	876 mm
Depth	420 mm
Height	607 mm
Mounting Dims.	545 mm (W) x 400 mm (D)
Weight (Dry)	58 kgs

Compressor Data

Type	CAJ9513Z
Swept Volume	4.21 m ³ /h
Oil Charge	0.48 litres
Nom. Current (A)	4.9
MCC (A)	11.3
LRC (A)	33.5

Fan Motors

No.	1
FLC (A)	0.2

Condenser Coil

Type	Microchannel
Volume	0.44 litres

Liquid Receiver

Volume	2.4 litres
--------	------------

Airflow

Volume	1250 m ³ /h
--------	------------------------

Applicable Refrigerants

R404A/R407A/R407F/R448A/R449A/R452A

Unit Connections

Liquid	3/8"
Suction	1/2"

Sound Pressure Level @ 10m (-10°C/+32°C)

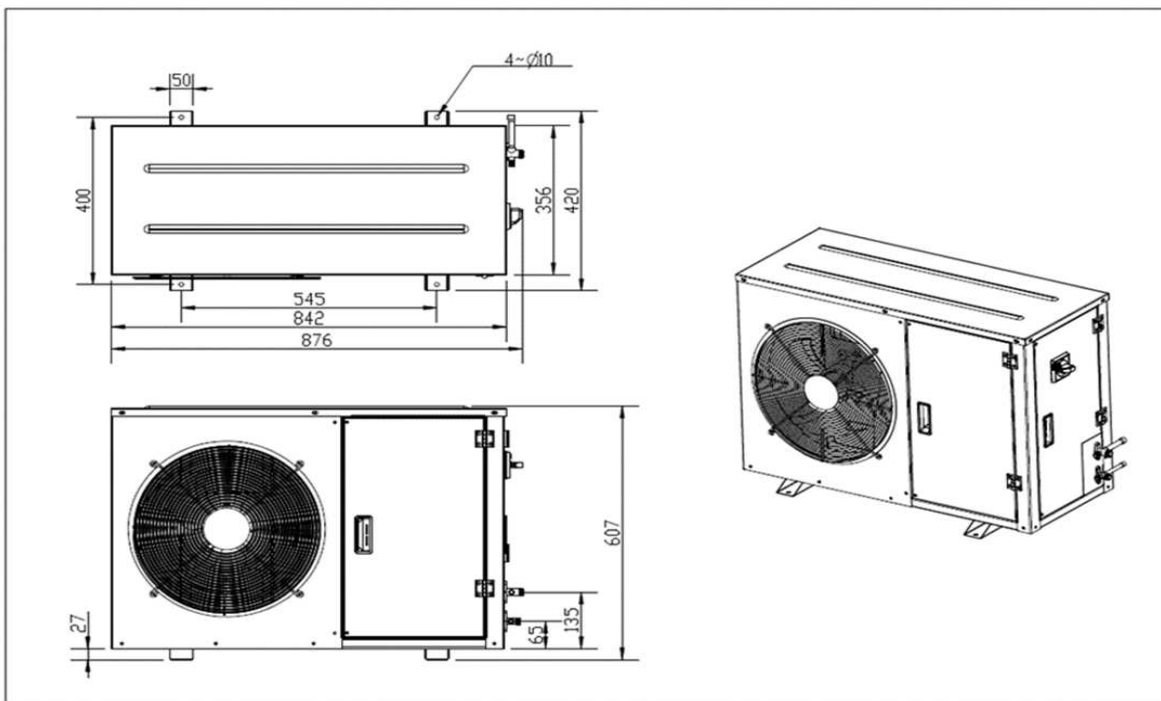
28 dB(A)

Performance Data at -10°C/+32°C Conditions

	Capacity (W) 10K SH	Capacity (W) 20°C RGT
R404A	1761	1934
R407A	1487	1662
R407F	1550	1739
R448A	1523	1639
R449A	1523	1639
R452A	1612	1788

1/1 Octave Sound Pressure Levels @ 1 meter from the unit

Frequency							
125 Hz	250 Hz	500 Hz	1 kHz	2 kHz	4 kHz	8 kHz	A (dBA)
55.2	50.7	45.4	40.2	37.0	27.9	27.4	47.7



Product Information based on the requirements of Commission Regulation EU 2015/1095

Model : JEHR-0113-B1-M-1

Refrigerant fluid:		R404A	R407A	R407F	R448A	R449A	R452A	
Item	Symbol	Value						Unit
Evaporating temperature*	t	-10						°C
Parameters at full load and ambient temperature 32 °C								
Rated cooling capacity	P_A	1.93	1.66	1.74	1.64	1.64	1.79	kW
Rated power input	D_A	1.06	0.94	0.94	0.96	0.96	1.03	kW
Rated COP	COP_A	1.82	1.78	1.85	1.71	1.71	1.73	
Parameters at full load and ambient temperature 25 °C								
Cooling capacity	P_2	2.22	1.73	1.85	1.80	1.80	1.98	kW
Power input	D_2	0.99	0.91	0.89	0.93	0.93	1.00	kW
COP	COP_2	2.24	1.90	2.07	1.95	1.95	1.98	
Parameters at full load and ambient temperature 43 °C								
Cooling capacity	P_3	1.53	N/A	N/A	1.34	1.34	1.46	kW
Power input	D_3	1.07	N/A	N/A	1.01	1.01	1.06	kW
COP	COP_3	1.43	N/A	N/A	1.33	1.33	1.37	
Other items								
Capacity control		Fixed						
Coefficient of degradation for fixed and staged capacity units*	Cd	0.25						
Contact details	Daikin Refrigeration Malaysia Sdn. Bhd. Lot 10, Jalan Perusahaan 8, Kawasan Perusahaan Pekan Banting, 42700 Banting, Selangor Darul Ehsan.							

Note: Published data based on condition - Return Gas Temperature 20° C



6RC0113EM-ABBA-55