

CONDENSING UNIT SPECIFICATION SHEET

Condensing Unit Details

Model JEHR-0113-H1-M-1
 Application Medium Temperature

Condenser Coil

Type Microchannel
 Volume 0.44 litres

Electrical Supply

230V / 1Ph / 50Hz

Liquid Receiver

Volume 2.4 litres
 PED Cat. I (A1) / II (A2L)

Weights & Dimensions

Width 876 mm
 Depth 430 mm
 Height 606 mm
 Mounting Dims. 545 mm (W) x 400 mm (D)
 Weight (Dry) 53 kgs

Airflow

Volume 1250 m³/h

Applicable Refrigerants

R448A/R449A/R452A/R454C/R455A

Compressor Data

Type AJ4513P-FZ3A
 Swept Volume 4.21 m³/h
 Oil Charge 0.48 litres
 Nom. Current (A) 4.2
 MCC (A) 11.5
 LRC (A) 33.0

Unit Connections

Liquid 3/8"
 Suction 1/2"

Sound Pressure Level @ 10m (-10°C/+32°C)

28 dB(A)

Performance Data at -10°C/+32°C Conditions

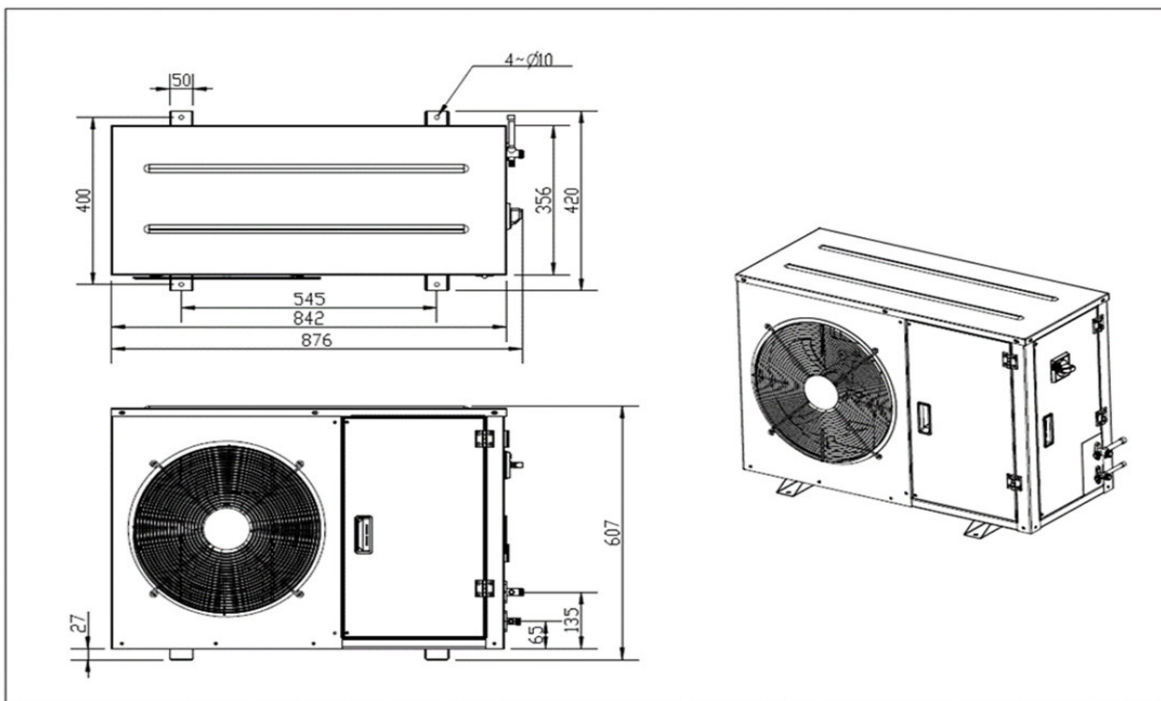
	Capacity (W) 10K SH		Capacity (W) 20°C RGT	
	Dew	Mid	Dew	Mid
R448A	1523	1657	1639	1778
R449A	1523	1657	1639	1778
R452A	1612	1681	1788	1862
R454C	1217	1339	1339	1463
R455A	1406	1655	1527	1775

Fan Motors

No. 1
 FLC (A) 0.2

1/1 Octave Sound Pressure Levels @ 1 meter from the unit

Frequency							
125 Hz	250 Hz	500 Hz	1 kHz	2 kHz	4 kHz	8 kHz	A (dBA)
56.5	50.2	44.7	42.6	36.4	38.9	31.0	48.3



Ecodesign 2018 Condensing Unit Information

Model: JEHR-0113-H1-M-1

Refrigerant fluid:		R448A	R449A	R452A	R455A	R454C	
Item	Symbol	Value					Unit
Evaporating temperature*	t	-10					°C
Parameters at full load and ambient temperature 32°C							
Rated cooling capacity	P_A	1.76	1.76	1.95	1.89	1.58	kW
Rated power input	D_A	0.99	0.99	1.03	0.98	0.91	kW
Rated COP	COP_A	1.77	1.77	1.89	1.92	1.74	
Parameters at full load and ambient temperature 25°C							
Cooling capacity	P_2	1.98	1.98	2.17	2.18	1.83	kW
Power input	D_2	0.96	0.96	1.00	0.94	0.87	kW
COP	COP_2	2.07	2.07	2.18	2.32	2.10	
Parameters at full load and ambient temperature 43°C							
Cooling capacity	P_3	1.41	1.41	1.58	1.45	1.20	kW
Power input	D_3	1.04	1.04	1.08	1.02	0.94	kW
COP	COP_3	1.35	1.35	1.47	1.42	1.28	
Other items							
Capacity control	Fixed						
Coefficient of degradation for fixed and staged capacity units*	Cd	0.25					
Contact details	Daikin Refrigeration Malaysia Sdn. Bhd. Lot 10, Jalan Perusahaan 8, Kawasan Perusahaan Pekan Banting, 42700 Banting, Selangor Darul Ehsan.						

Note: Published data based on mid point condition - Return Gas Temperature 20°C

RJ0110030015414

6RC0113HM-ABBB-55