

## CONDENSING UNIT SPECIFICATION SHEET

### Condensing Unit Details

Model JEHR-0115-B1-L-1  
Application Low Temperature

### Condenser Coil

Type Microchannel  
Volume 0.44 litre

### Electrical Supply

230V / 1Ph / 50Hz

### Liquid Receiver

Volume 2.4 litres

### Weights & Dimensions

Width 876 mm  
Depth 420 mm  
Height 607 mm  
Mounting Dims. 545 mm (W) x 400 mm (D)  
Weight (Dry) 59 kgs

### Airflow

Volume 1250 m<sup>3</sup>/h

### Applicable Refrigerants

R404A/R448A/R449A/R452A

### Compressor Data

Type CAJ2446Z  
Swept Volume 4.55 m<sup>3</sup>/h  
Oil Charge 0.48 litre  
Nom. Current (A) 2.8  
MCC (A) 8.2  
LRC (A) 30.0

### Unit Connections

Liquid 3/8"  
Suction 1/2"

### Sound Pressure Level @ 10m (-25°C/+32°C)

27 dB(A)

### Oil Separator

Oil Charge n/a

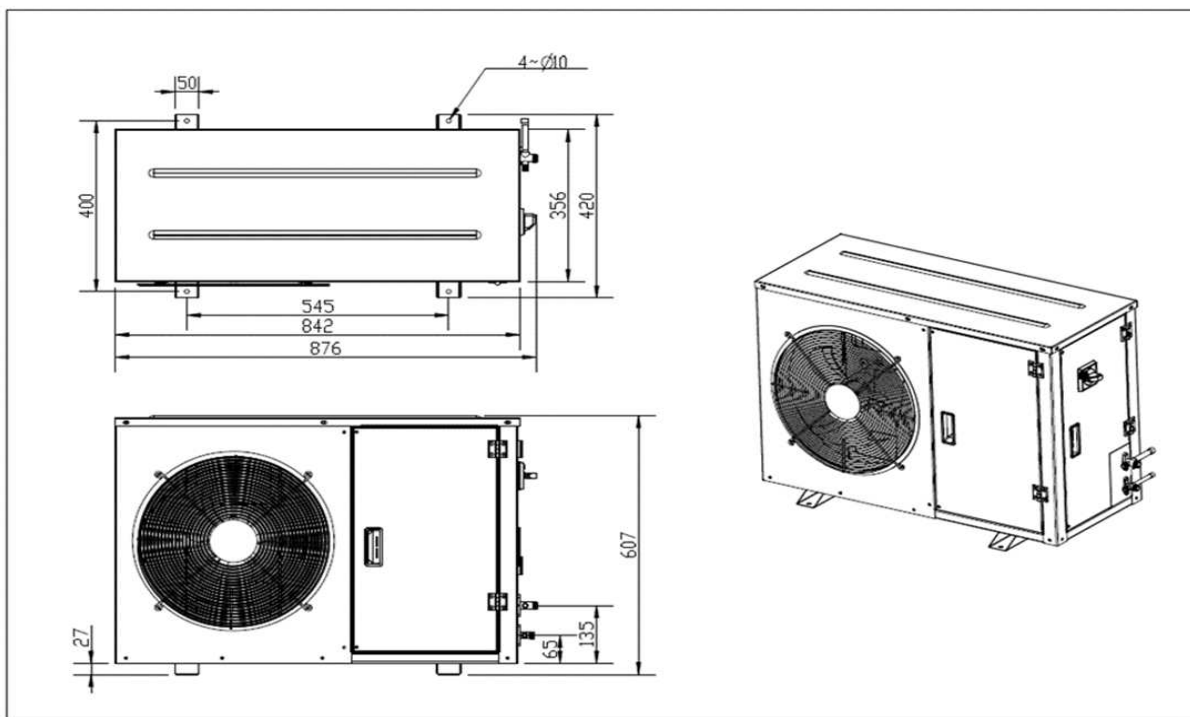
### Performance Data at -35°C/+32°C Conditions

	Capacity (W) 10K SH	Capacity (W) 20°C RGT
R404A	578	721
R448A	n/a	n/a
R449A	n/a	n/a
R452A	517	637

### Fan Motors

No. 1  
FLC (A) 0.2

1/1 Octave Sound Pressure Levels @ 1 meter from the unit							
Frequency							
125 Hz	250 Hz	500 Hz	1 kHz	2 kHz	4 kHz	8 kHz	A (dBA)
54.9	49.4	47.0	40.2	34.6	29.6	26.6	47.4



# Product Information based on the requirements of Commission Regulation EU 2015/1095

Model : JEHR-0115-B1-L-1

Refrigerant fluid:		R404A	R452A	
Item	Symbol	Value		Unit
Evaporating temperature*	$t$	-35		°C
<b>Parameters at full load and ambient temperature 32 °C</b>				
Rated cooling capacity	$P_A$	0.72	0.64	kW
Rated power input	$D_A$	0.65	0.61	kW
<b>Rated COP</b>	$COP_A$	1.10	1.05	
<b>Parameters at full load and ambient temperature 25 °C</b>				
Cooling capacity	$P_2$	0.80	0.73	kW
Power input	$D_2$	0.65	0.61	kW
<b>COP</b>	$COP_2$	1.23	1.20	
<b>Parameters at full load and ambient temperature 43 °C</b>				
Cooling capacity	$P_3$	0.55	0.49	kW
Power input	$D_3$	0.65	0.60	kW
<b>COP</b>	$COP_3$	0.85	0.82	
<b>Other items</b>				
Capacity control		Fixed		
Coefficient of degradation for fixed and staged capacity units*	$Cd$	0.25		
Contact details	Daikin Refrigeration Malaysia Sdn. Bhd. Lot 10, Jalan Perusahaan 8, Kawasan Perusahaan Pekan Banting, 42700 Banting, Selangor Darul Ehsan.			

Note: Published data based on condition - Return Gas Temperature 20° C



6RC0115EL-ABBA-55