

CONDENSING UNIT SPECIFICATION SHEET

Condensing Unit Details

Model JEHR-0115-H1-L-1
Application Low Temperature

Electrical Supply

230V / 1Ph / 50Hz

Weights & Dimensions

Width 876 mm
Depth 430 mm
Height 606 mm
Mounting Dims. 545 mm (W) x 400 mm (D)
Weight (Dry) 52 kgs

Compressor Data

Type AJ2446P-FZ3A
Swept Volume 4.55 m³/h
Oil Charge 0.48 litre
Nom. Current (A) 2.4
MCC (A) 8.1
LRC (A) 29.5

Oil Separator

Oil Charge n/a

Fan Motors

No. 1
FLC (A) 0.2

Condenser Coil

Type Microchannel
Volume 0.44 litre

Liquid Receiver

Volume 2.4 litres
PED Cat. I (A1) / II (A2L)

Airflow

Volume 1250 m³/h

Applicable Refrigerants

R448A/R449A/R452A/R454C/R455A

Unit Connections

Liquid 3/8"
Suction 1/2"

Sound Pressure Level @ 10m (-25°C/+32°C)

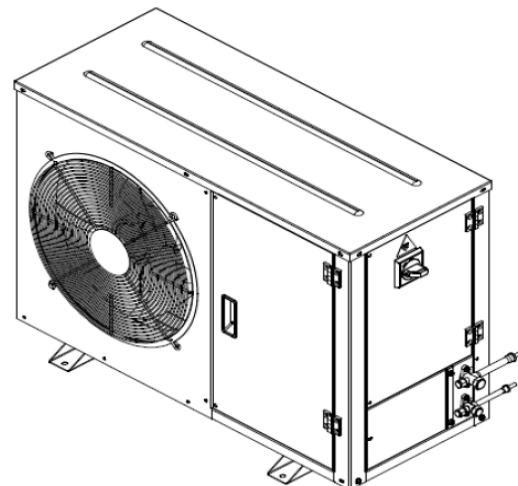
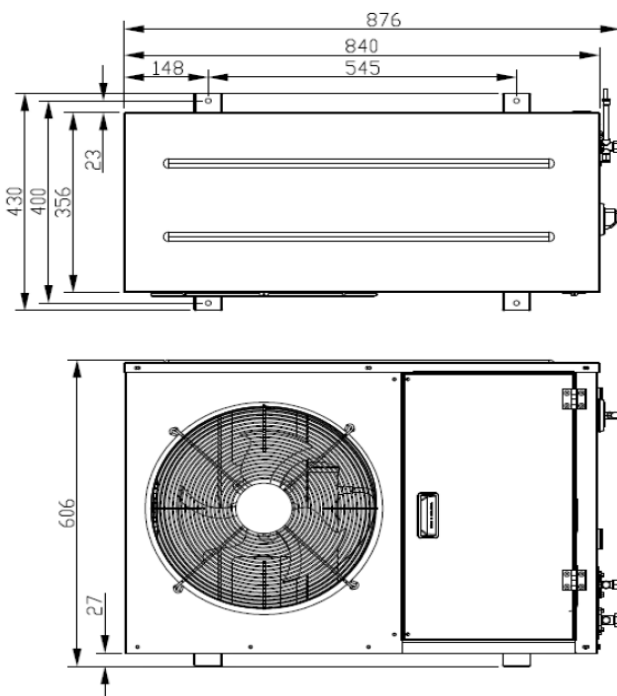
27 dB(A)

Performance Data at -35°C/+32°C Conditions

	Capacity (W) 10K SH		Capacity (W) 20°C RGT	
	Dew	Mid	Dew	Mid
R448A	n/a	n/a	n/a	n/a
R449A	n/a	n/a	n/a	n/a
R452A	517	545	637	670
R454C	351	407	426	489
R455A	378	488	434	560

1/1 Octave Sound Pressure Levels @ 1 meter from the unit

Frequency							
125 Hz	250 Hz	500 Hz	1 kHz	2 kHz	4 kHz	8 kHz	A (dBA)
54.9	49.4	47.0	40.2	34.6	29.6	26.6	47.4



Ecodesign 2018 Condensing Unit Information

Model: JEHR-0115-H1-L-1

Refrigerant fluid:		R452A	R455A	R454C	
Item	Symbol	Value			Unit
Evaporating temperature*	t	-35			°C
Parameters at full load and ambient temperature 32°C					
Rated cooling capacity	P_A	0.76	0.62	0.54	kW
Rated power input	D_A	0.67	0.61	0.55	kW
Rated COP	COP_A	1.15	1.02	0.98	
Parameters at full load and ambient temperature 25°C					
Cooling capacity	P_2	0.87	0.72	0.62	kW
Power input	D_2	0.66	0.61	0.55	kW
COP	COP_2	1.32	1.17	1.12	
Parameters at full load and ambient temperature 43°C					
Cooling capacity	P_3	0.60	0.44	0.38	kW
Power input	D_3	0.66	0.58	0.52	kW
COP	COP_3	0.90	0.76	0.72	
Other items					
Capacity control	Fixed				
Coefficient of degradation for fixed and staged capacity units*	C_d	0.25			
Contact details	Daikin Refrigeration Malaysia Sdn. Bhd. Lot 10, Jalan Perusahaan 8, Kawasan Perusahaan Pekan Banting, 42700 Banting, Selangor Darul Ehsan.				

Note: Published data based on mid point condition - Return Gas Temperature 20°C

RJ0110030015415

6RC0115HL-ABBA-55