

## CONDENSING UNIT SPECIFICATION SHEET

### Condensing Unit Details

Model JEHR-0135-B1-L-1  
 Application Low Temperature

### Electrical Supply

230V / 1Ph / 50Hz

### Weights & Dimensions

Width 876 mm  
 Depth 420 mm  
 Height 607 mm  
 Mounting Dims. 545 mm (W) x 400 mm (D)  
 Weight (Dry) 61 Kgs

### Compressor Data

Type CAJ2464Z  
 Swept Volume 6.00 m<sup>3</sup>/h  
 Oil Charge 0.48 litre  
 Nom. Current (A) 4.6  
 MCC (A) 10.0  
 LRC (A) 40.0

### Oil Separator

Oil Charge n/a

### Fan Motors

No. 1  
 FLC (A) 0.2

### Condenser Coil

Type Microchannel  
 Volume 0.44 litre

### Liquid Receiver

Volume 2.4 litres

### Airflow

Volume 1250 m<sup>3</sup>/h

### Applicable Refrigerants

R404A/R448A/R449A/R452A

### Unit Connections

Liquid 3/8"  
 Suction 1/2"

### Sound Pressure Level @ 10m (-25°C/+32°C)

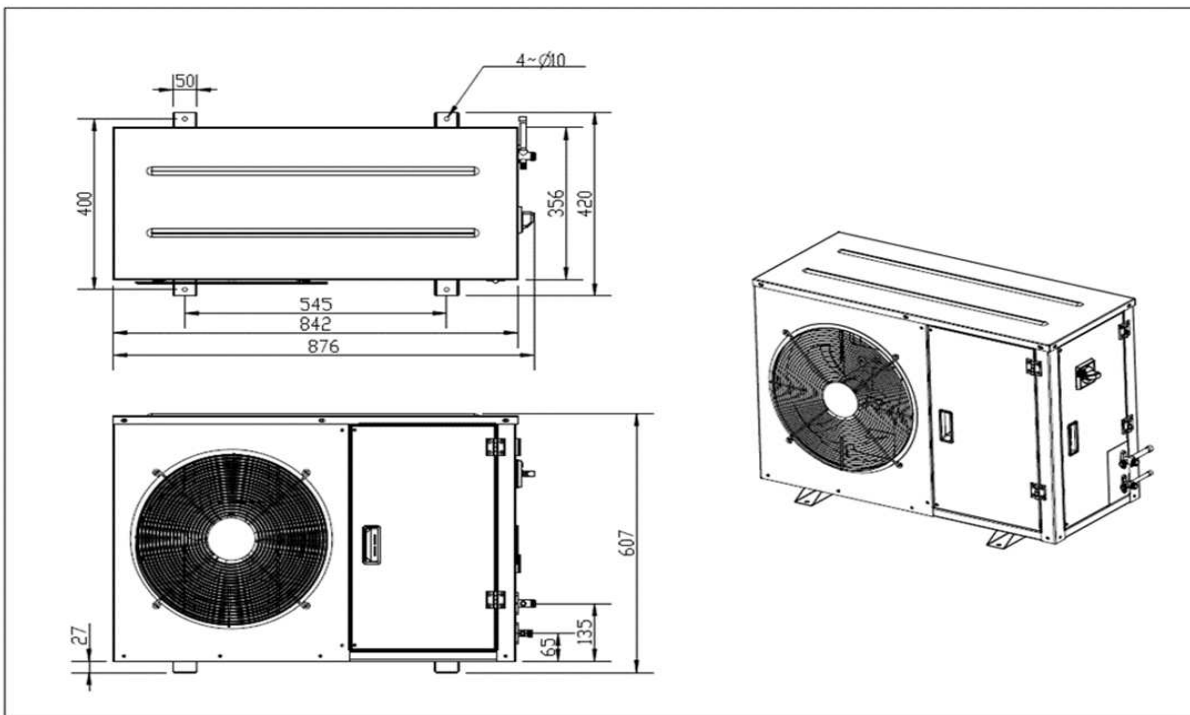
27 dB(A)

### Performance Data at -35°C/+32°C Conditions

	Capacity (W) 10K SH	Capacity (W) 20°C RGT
R404A	739	925
R448A	n/a	n/a
R449A	n/a	n/a
R452A	658	814

### 1/1 Octave Sound Pressure Levels @ 1 meter from the unit

Frequency							
125 Hz	250 Hz	500 Hz	1 kHz	2 kHz	4 kHz	8 kHz	A (dBA)
53.0	49.5	45.7	41.3	37.2	30.8	26.2	47.3



# Product Information based on the requirements of Commission Regulation EU 2015/1095

Model : JEHR-0135-B1-L-1

Refrigerant fluid:		R404A	R452A	
Item	Symbol	Value		Unit
Evaporating temperature*	$t$	-35		°C
<b>Parameters at full load and ambient temperature 32 °C</b>				
Rated cooling capacity	$P_A$	0.93	0.81	kW
Rated power input	$D_A$	0.89	0.83	kW
<b>Rated COP</b>	$COP_A$	1.04	0.98	
<b>Parameters at full load and ambient temperature 25 °C</b>				
Cooling capacity	$P_2$	1.03	0.95	kW
Power input	$D_2$	0.88	0.83	kW
<b>COP</b>	$COP_2$	1.16	1.15	
<b>Parameters at full load and ambient temperature 43 °C</b>				
Cooling capacity	$P_3$	0.72	0.57	kW
Power input	$D_3$	0.89	0.81	kW
<b>COP</b>	$COP_3$	0.81	0.71	
<b>Other items</b>				
Capacity control		Fixed		
Coefficient of degradation for fixed and staged capacity units*	$Cd$	0.25		
Contact details	Daikin Refrigeration Malaysia Sdn. Bhd. Lot 10, Jalan Perusahaan 8, Kawasan Perusahaan Pekan Banting, 42700 Banting, Selangor Darul Ehsan.			

Note: Published data based on condition - Return Gas Temperature 20° C



6RC0135EL-ABBA-55