

Condensing Unit Details

Model	JEHR-0135-H1-L-1
Application	Low Temperature

Electrical Supply

230V / 1Ph / 50Hz

Weights & Dimensions

Width	876 mm
Depth	430 mm
Height	606 mm
Mounting Dims.	545 mm (W) x 400 mm (D)
Weight (Dry)	54 Kgs

Compressor Data

Type	AJ2464P-FZ3A
Swept Volume	6.00 m ³ /h
Oil Charge	0.48 litre
Nom. Current (A)	3.3
MCC (A)	9.7
LRC (A)	40.0

Oil Separator

Oil Charge	n/a
------------	-----

Fan Motors

No.	1
FLC (A)	0.2

Condenser Coil

Type	Microchannel
Volume	0.44 litre

Liquid Receiver

Volume	2.4 litres
PED Cat.	I (A1) / II (A2L)

Airflow

Volume	1250 m ³ /h
--------	------------------------

Applicable Refrigerants

R448A/R449A/R452A/R454C/R455A

Unit Connections

Liquid	3/8"
Suction	1/2"

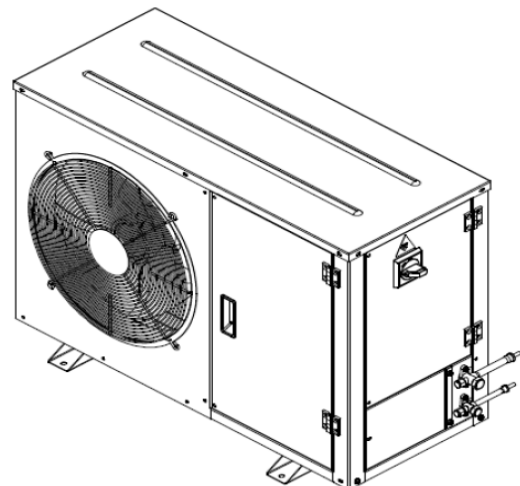
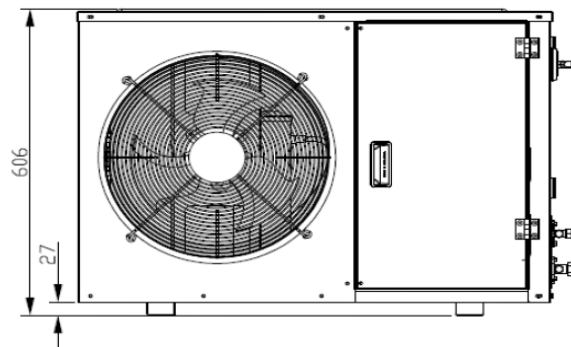
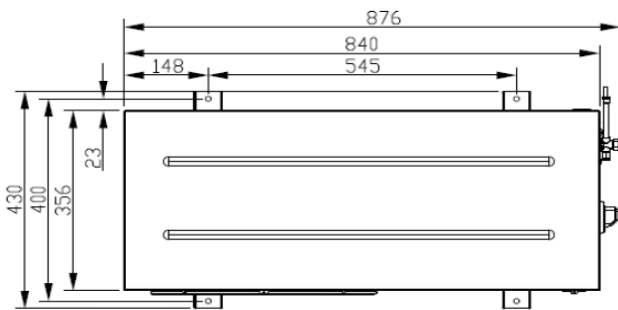
Sound Pressure Level @ 10m (-25°C/+32°C)

27 dB(A)

Performance Data at -35°C/+32°C Conditions

	Capacity (W) 10K SH		Capacity (W) 20°C RGT	
	Dew	Mid	Dew	Mid
R448A	n/a	n/a	n/a	n/a
R449A	n/a	n/a	n/a	n/a
R452A	658	691	814	853
R454C	n/a	n/a	n/a	n/a
R455A	493	622	572	720

1/1 Octave Sound Pressure Levels @ 1 meter from the unit							
Frequency							
125 Hz	250 Hz	500 Hz	1 kHz	2 kHz	4 kHz	8 kHz	A (dBA)
53.0	49.5	45.7	41.3	37.2	30.8	26.2	47.3



Ecodesign 2018 Condensing Unit Information

Model: JEHR-0135-H1-L-1

Refrigerant fluid:		R452A	R455A	
Item	Symbol	Value		Unit
Evaporating temperature*	t	-35		°C
Parameters at full load and ambient temperature 32°C				
Rated cooling capacity	P_A	0.97	0.79	kW
Rated power input	D_A	0.91	0.78	kW
Rated COP	COP_A	1.07	1.02	
Parameters at full load and ambient temperature 25°C				
Cooling capacity	P_2	1.13	0.95	kW
Power input	D_2	0.89	0.79	kW
COP	COP_2	1.27	1.2	
Parameters at full load and ambient temperature 43°C				
Cooling capacity	P_3	N/A	N/A	kW
Power input	D_3	N/A	N/A	kW
COP	COP_3	N/A	N/A	
Other items				
Capacity control	Fixed			
Coefficient of degradation for fixed and staged capacity units*	C_d	0.25		
Contact details	Daikin Refrigeration Malaysia Sdn. Bhd. Lot 10, Jalan Perusahaan 8, Kawasan Perusahaan Pekan Banting, 42700 Banting, Selangor Darul Ehsan.			

Note: Published data based on mid point condition - Return Gas Temperature 20°C

RJ0110030015416

6RC0135HL-ABBA-55