

Condensing Unit Details

Model	JEHS-0950-B4-L-3 EVI
Application	Low Temperature

Electrical Supply

400V / 3Ph / 50Hz

Weights & Dimensions

Width	1348 mm
Depth	612 mm
Height	1727 mm
Mounting Dims.	940 mm (W) x 560 mm (D)
Weight (Dry)	200 kgs

Compressor Data

Type	ZF18KVE-TFD-EVI
Swept Volume	17.10 m ³ /h
Oil Charge	1.90 litres
Nom. Current (A)	7.3
MCC (A)	13.0
LRC (A)	74.0

Oil Separator

Oil Charge	0.60 litre
------------	------------

Fan Motors

No.	2
FLC (A)	1.2 (2x 0.6)

Condenser Coil

Type	Al-Cu Fin/Tube
Volume	8.73 litres

Liquid Receiver

Volume	13.6 litres
--------	-------------

Airflow

Volume	5870 m ³ /h
--------	------------------------

Applicable Refrigerants

R404A/R407A/R407F/R448A/R449A

Unit Connections

Liquid	1/2"
Suction	7/8"

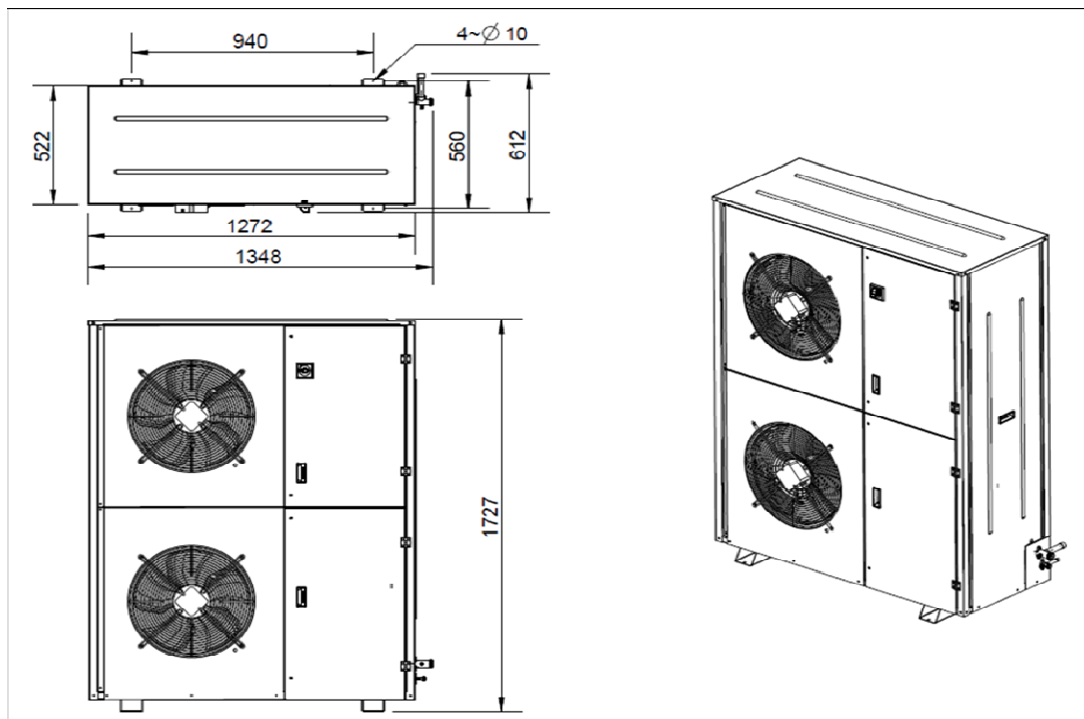
Sound Pressure Level @ 10m (-25°C/+32°C)

37 dB(A)

Performance Data at -35°C/+32°C Conditions

	Capacity (W) 10K SH	Capacity (W) 20°C RGT
R404A	5900	n/a
R407A	4960	n/a
R407F	4880	n/a
R448A	4860	n/a
R449A	4860	n/a

1/1 Octave Sound Pressure Levels @ 1 meter from the unit							
Frequency							
125 Hz	250 Hz	500 Hz	1 kHz	2 kHz	4 kHz	8 kHz	A (dBA)
61.8	57.9	54.1	50.7	48.0	40.0	30.4	56.6



Product Information based on the requirements of Commission Regulation EU 2015/1095

Model : JEHS-0950-B4-L-3 EVI

Refrigerant fluid:		R404A	R407A	R407F	R448A	R449A	
Item	Symbol	Value					Unit
Evaporating temperature*	t	-35					°C
Annual electricity consumption	Q	24503	20958	22348	20551	20551	kWh/a
Seasonal Energy Performance Ratio	$SEPR$	1.79	1.76	1.63	1.76	1.76	
Parameters at full load and ambient temperature 32 °C							
(Point A)							
Rated cooling capacity	P_A	5.90	4.96	4.88	4.86	4.86	kW
Rated power input	D_A	4.35	3.94	4.51	3.93	3.93	kW
Rated COP	COP_A	1.36	1.26	1.08	1.24	1.24	
Parameters at part load and ambient temperature 25 °C							
(Point B)							
Declared cooling capacity	P_B	6.030	5.060	5.120	4.970	4.970	kW
Declared power input	D_B	3.820	3.340	3.790	3.500	3.500	kW
Declared COP	COP_B	1.58	1.51	1.35	1.42	1.42	
Parameters at part load and ambient temperature 15 °C							
(Point C)							
Declared cooling capacity	P_C	6.130	5.130	5.320	5.110	5.110	kW
Declared power input	D_C	3.500	2.950	3.190	2.920	2.920	kW
Declared COP	COP_C	1.75	1.74	1.67	1.75	1.75	
Parameters at part load and ambient temperature 5 °C							
(Point D)							
Declared cooling capacity	P_D	6.350	5.280	5.450	5.220	5.220	kW
Declared power input	D_D	2.930	2.480	2.760	2.400	2.400	kW
Declared COP	COP_D	2.17	2.13	1.97	2.18	2.18	
Parameters at full load and ambient temperature 43 °C							
Cooling capacity	P_3	5.72	N/A	N/A	N/A	N/A	kW
Power input	D_3	5.40	N/A	N/A	N/A	N/A	kW
Declared COP	COP_3	1.06	N/A	N/A	N/A	N/A	
Other items							
Capacity control		Fixed					
Coefficient of degradation for fixed and staged capacity units*	Cd	0.25					
Contact details	Daikin Refrigeration Malaysia Sdn. Bhd. Lot 10, Jalan Perusahaan 8, Kawasan Perusahaan Pekan Banting, 42700 Banting, Selangor Darul Ehsan.						

Note: Published data based on condition - superheat 10K.



6SC0950EL-FBBA-55