

Condensing Unit Details

Model JEHS-0951-B4-L-3 EVI
 Application Low Temperature

Electrical Supply

400V / 3Ph / 50Hz

Weights & Dimensions

Width 1348 mm
 Depth 612 mm
 Height 1727 mm
 Mounting Dims. 940 mm (W) x 560 mm (D)
 Weight (Dry) 200 kgs

Compressor Data

Type ZFI26KQE-TFD-EVI
 Swept Volume 17.10 m³/h
 Oil Charge 1.90 litres
 Nom. Current (A) 7.3
 MCC (A) 13.0
 LRC (A) 74.0

Oil Separator

Oil Charge 0.60 litre

Fan Motors

No. 2
 FLC (A) 1.2 (2x 0.6)

Condenser Coil

Type Al-Cu Fin/Tube
 Volume 8.73 litres

Liquid Receiver

Volume 13.6 litres

Airflow

Volume 5870 m³/h

Applicable Refrigerants

R407A/R407F/R448A/R449A

Unit Connections

Liquid 1/2"
 Suction 7/8"

Sound Pressure Level @ 10m (-25°C/+32°C)

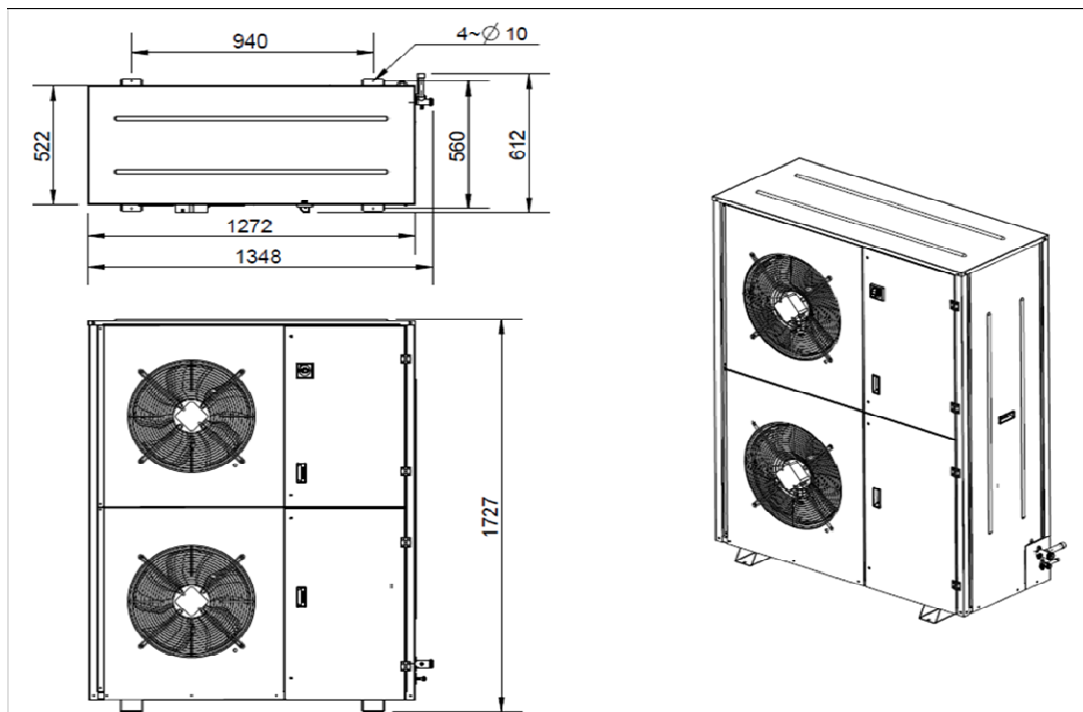
37 dB(A)

Performance Data at -35°C/+32°C Conditions

	Capacity (W) 10K SH	Capacity (W) 20°C RGT
R407A	4885	n/a
R407F	4902	n/a
R448A	4846	n/a
R449A	4846	n/a

1/1 Octave Sound Pressure Levels @ 1 meter from the unit

Frequency							
125 Hz	250 Hz	500 Hz	1 kHz	2 kHz	4 kHz	8 kHz	A (dBA)
59.2	58.2	55.6	51.4	49.4	40.7	33.2	57.3



Product Information based on the requirements of Commission Regulation EU 2015/1095

Model : JEHS-0951-B4-L-3 EVI

Refrigerant fluid:		R407A	R407F	R448A	R449A	
Item	Symbol					Unit
Evaporating temperature*	t					°C
Annual electricity consumption	Q	22108	20961	21477	21477	kWh/a
Seasonal Energy Performance Ratio	$SEPR$	1.65	1.74	1.68	1.68	
Parameters at full load and ambient temperature 32 °C						
(Point A)						
Rated cooling capacity	P_A	4.89	4.90	4.85	4.85	kW
Rated power input	D_A	4.15	3.86	3.95	3.95	kW
Rated COP	COP_A	1.18	1.27	1.23	1.23	
Parameters at part load and ambient temperature 25 °C						
(Point B)						
Declared cooling capacity	P_B	4.955	4.968	4.965	4.965	kW
Declared power input	D_B	3.646	3.408	3.527	3.527	kW
Declared COP	COP_B	1.36	1.46	1.41	1.41	
Parameters at part load and ambient temperature 15 °C						
(Point C)						
Declared cooling capacity	P_C	5.042	5.050	5.074	5.074	kW
Declared power input	D_C	3.114	2.937	3.056	3.056	kW
Declared COP	COP_C	1.62	1.72	1.66	1.66	
Parameters at part load and ambient temperature 5 °C						
(Point D)						
Declared cooling capacity	P_D	5.186	5.184	5.125	5.125	kW
Declared power input	D_D	2.566	2.449	2.503	2.503	kW
Declared COP	COP_D	2.02	2.12	2.05	2.05	
Parameters at full load and ambient temperature 43 °C						
Cooling capacity	P_3	N/A	N/A	N/A	N/A	kW
Power input	D_3	N/A	N/A	N/A	N/A	kW
Declared COP	COP_3	N/A	N/A	N/A	N/A	
Other items						
Capacity control	Fixed					
Coefficient of degradation for fixed and staged capacity units*	Cd	0.25				
Contact details	Daikin Refrigeration Malaysia Sdn. Bhd. Lot 10, Jalan Perusahaan 8, Kawasan Perusahaan Pekan Banting, 42700 Banting, Selangor Darul Ehsan.					

Note: Published data based on dew point condition - superheat 10K.



6SC0951EL-FBBA-55